

FLOS

05.6432.14.1V Black

Workmates Track Small Full Spectrum 0-10V Dimming NEW

Designed by FLOS Architectural, 2023



Luminaire for use on The Running Magnet system. High-quality colour rendering Full Spectrum light source. This can rotate by 360° on the axis of its rear arm to reach any position relative to the track (from parallel to perpendicular). UGR<19. EN12464 - cd/m² @ 65°<3000 compliant. Casambi, maximum distance between fixtures: 50m.

Are you a professional and your project needs consulting and support?

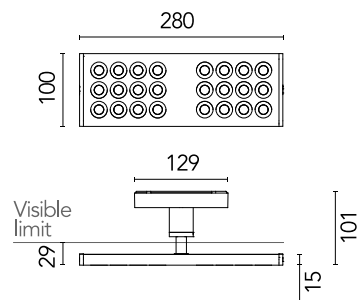
[BOOK AN APPOINTMENT](#)

Main specifications

Mounting	Track
Environments	Indoor dry location
Light source type	LED
Light sources included	Yes
LED type	Top LED
Lamp category	LED
Number of lamps	1
Power (W)	10
System power (W)	10
Source flux (lm)	950
Lumen Output (lm)	717
Efficacy (lm/W)	71

Physical

Colour	Black
Orientation	Fixed
Rotation (°)	360
Net weight (kg)	0.6
IP internal	20
IP external	20



Download

Mounting instructions [↓ PDF](#)

Photometric Files

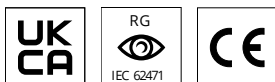
LDT / IES [↓ ZIP](#)

Ecodesign and Energy Labelling

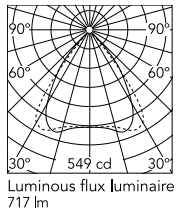
This product contains a light source of energy efficiency class F

 Replaceable (LED only) light source by a professional

 Replaceable control gear by a professional



Schematic light drawing



Beam Angle:	75°	
h(m)	E(lx)	D(m)
1	485	1.53
2	121	3.05
3	54	4.58
4	30	6.10
5	19	7.63

Photometric

Lighting type	Direct
Light distribution	Symmetric
CCT (K)	4000
CRI>	98
McAdam steps (SDCM)	3
Rf fidelity index	97
Rg gamut index	101
LED Life / Failure Ratio	L80B50>60.000h_Tc85°C
Beam angle C0-180 (°)	75
Beam angle C90-270 (°)	75
Extreme cut off	Yes
UGR _L	<16

Electrical

Insulation class	III
Forward voltage (V)	24
LED current (mA)	700
Power supply	Remote
Dimmable	Yes
Power supply type	Dimmable 0-10V
Dimming range (%)	1-100
Dimming interface	Remote Dimmable (Dimmer Not Included)

Notes

Before placing your order, please consult the product details also on the catalogue, in its technical data sheet and in the installation and assembly instructions to find all the information that may not be included in this site or that could be relevant to your specific project or installation.