

# FLOS

09.4252.30.DA White

## UT Spot Track Ø 86 Dali Version

Designed by FLOS Architectural, 2015



Spotlight to be installed on 3-phase track. With LED light source. 220-240V, 50-60Hz power supply integrated.

Are you a professional and your project needs consulting and support?

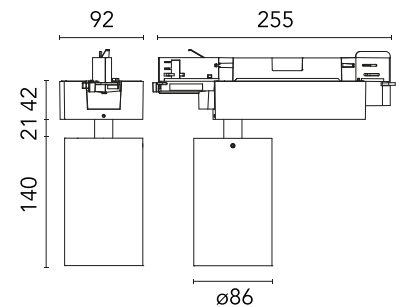
[BOOK AN APPOINTMENT](#)

### Main specifications

|                   |                     |
|-------------------|---------------------|
| Mounting          | Track               |
| Environments      | Indoor dry location |
| Light Source Type | LED                 |
| LED type          | Phosphor LED        |
| Lamp category     | LED                 |
| Iicos             | No                  |
| Bulb finish       | Clear               |
| Number of heads   | 1                   |
| Power (W)         | 29.3                |
| System power (W)  | 29.3                |
| Source flux (lm)  | 3000                |
| System flux (lm)  | 1947                |

### Physical

|                          |            |
|--------------------------|------------|
| Colour                   | White      |
| Trim                     | No         |
| Orientation              | Adjustable |
| Rotation (°)             | 360        |
| Longitudinal tilting (°) | 90         |
| Spot diameter (mm)       | 86         |
| Net weight (kg)          | 1.36       |
| IP internal              | 20         |
| IP external              | 20         |



### Download

[Mounting instructions](#) ZIP

### Photometric Files

[LDT / IES](#) ZIP

### Technical Drawings

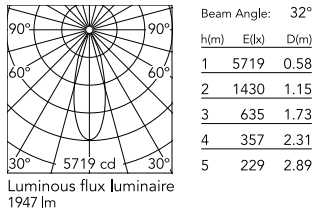
[2D](#) ZIP

[3D](#) ZIP

[Bim](#) ZIP



## Schematic light drawing



## Photometric

|                        |           |
|------------------------|-----------|
| Lighting type          | Direct    |
| Light distribution     | Symmetric |
| CCT (K)                | 4000      |
| CRI>                   | 80        |
| Beam angle C0-180 (°)  | 32        |
| Beam angle C90-270 (°) | 32        |

## Electrical

|                                   |                                       |
|-----------------------------------|---------------------------------------|
| Insulation class                  | II                                    |
| Frequency (Hz)                    | 50/60                                 |
| Main voltage (Vac)                | 220-240V                              |
| Alternating current voltage (Vac) | 230                                   |
| LED current (mA)                  | 1050                                  |
| Driver                            | Integrated                            |
| Dimmable                          | Yes                                   |
| Dimming type                      | Dimmable DALI 1                       |
| Dimming interface                 | Remote Dimmable (Dimmer Not Included) |
| Emergency type                    | No                                    |

## Ecodesign and Energy Labelling



Replaceable (LED only) light source by a professional



Replaceable control gear by a professional

## Notes

FLOS three-phase lighting track luminaires are designed and fully tested for tracks recommended by FLOS. Compatibility is guaranteed with three-phase track produced by Nordic Aluminium. Compatibility with Eutrac under request. FLOS three-phase DALI track luminaires are designed for Pulse DALI from Nordic Aluminium.

## Accessories & Power Supply



OPTIONAL  
Accessory

Optical

08.8411.00

Screening crosspiece