

FLOS

09.4250.30.DA White

UT Spot Track Ø 86 Dali Version

Designed by FLOS Architectural, 2015



Spotlight to be installed on 3-phase track. With LED light source. 220-240V, 50-60Hz power supply integrated.

Are you a professional and your project needs consulting and support?

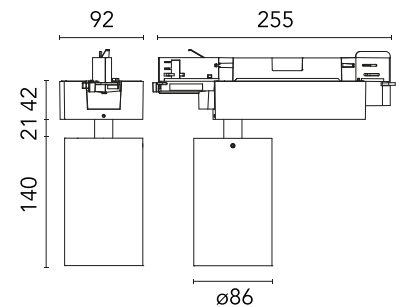
[BOOK AN APPOINTMENT](#)

Main specifications

| | |
|-------------------|---------------------|
| Mounting | Track |
| Environments | Indoor dry location |
| Light Source Type | LED |
| LED type | Phosphor LED |
| Lamp category | LED |
| Iicos | No |
| Bulb finish | Clear |
| Number of heads | 1 |
| Power (W) | 29.3 |
| System power (W) | 29.3 |
| Source flux (lm) | 3000 |
| System flux (lm) | 2216 |

Physical

| | |
|--------------------------|------------|
| Colour | White |
| Trim | No |
| Orientation | Adjustable |
| Rotation (°) | 360 |
| Longitudinal tilting (°) | 90 |
| Spot diameter (mm) | 86 |
| Net weight (kg) | 1.36 |
| IP internal | 20 |
| IP external | 20 |



Download

[Mounting instructions](#) ZIP

Photometric Files

[LDT / IES](#) ZIP

Technical Drawings

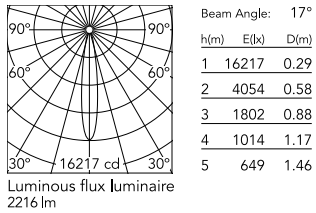
[2D](#) ZIP

[3D](#) ZIP

[Bim](#) ZIP



Schematic light drawing



Photometric

| | |
|------------------------|-----------|
| Lighting type | Direct |
| Light distribution | Symmetric |
| CCT (K) | 4000 |
| CRI> | 80 |
| Beam angle C0-180 (°) | 17 |
| Beam angle C90-270 (°) | 17 |

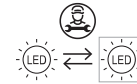
Electrical

| | |
|-----------------------------------|---------------------------------------|
| Insulation class | II |
| Frequency (Hz) | 50/60 |
| Main voltage (Vac) | 220-240V |
| Alternating current voltage (Vac) | 230 |
| LED current (mA) | 1050 |
| Driver | Integrated |
| Dimmable | Yes |
| Dimming type | Dimmable DALI 1 |
| Dimming interface | Remote Dimmable (Dimmer Not Included) |
| Emergency type | No |

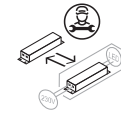
Notes

FLOS three-phase lighting track luminaires are designed and fully tested for tracks recommended by FLOS. Compatibility is guaranteed with three-phase track produced by Nordic Aluminium. Compatibility with Eutrac under request.

Ecodesign and Energy Labelling



Replaceable (LED only) light source by a professional



Replaceable control gear by a professional

Accessories & Power Supply



OPTIONAL
Accessory

Optical

08.8411.00

Screening crosspiece