

FLOS

09.4287.14A Black

UT Spot Track Ø 86

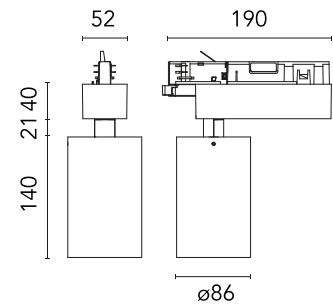
Designed by FLOS Architectural, 2015



Spotlight to be installed on 3-phase track. with LED light source. 220-240V, 50-60Hz power supply integrated.

Are you a professional and your project needs consulting and support?

[BOOK AN APPOINTMENT](#)



Main specifications

Mounting	Track
Environments	Indoor dry location
Light Source Type	LED
LED type	Phosphor LED
Lamp category	LED
Iicos	No
Bulb finish	Clear
Number of heads	1
Power (W)	34.1
System power (W)	35.5
Source flux (lm)	2772
System flux (lm)	1995

Physical

Colour	Black
Trim	No
Orientation	Adjustable
Rotation (°)	360
Longitudinal tilting (°)	90
Spot diameter (mm)	86
Net weight (kg)	1.36
IP internal	20
IP external	20

Download

[Mounting instructions](#) ZIP

Photometric Files

[LDT / IES](#) ZIP

Technical Drawings

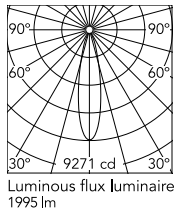
[2D](#) ZIP

[3D](#) ZIP

[Bim](#) ZIP



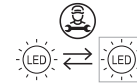
Schematic light drawing



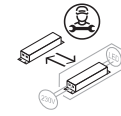
Beam Angle: 23°

h(m)	E(lx)	D(m)
1	9271	0.41
2	2318	0.82
3	1030	1.23
4	579	1.64
5	371	2.05

Ecodesign and Energy Labelling



Replaceable (LED only) light source by a professional



Replaceable control gear by a professional

Photometric

Lighting type	Direct
Light distribution	Symmetric
CCT (K)	3000
CRI>	98
Beam angle C0-180 (°)	23
Beam angle C90-270 (°)	23

Electrical

Insulation class	II
Frequency (Hz)	50/60
Main voltage (Vac)	220-240V
Alternating current voltage (Vac)	230
LED current (mA)	1050
Driver	Integrated
Dimmable	No
Dimming type	Non Dimmable
Dimming interface	Not Dimmable
Emergency type	No

Notes

FLOS three-phase lighting track luminaires are designed and fully tested for tracks recommended by FLOS. Compatibility is guaranteed with three-phase track produced by Nordic Aluminium. Compatibility with Eutrac under request.

Accessories & Power Supply



OPTIONAL
Accessory

Optical

08.8411.00

Screening crosspiece