

■ F7541031 Matte Black

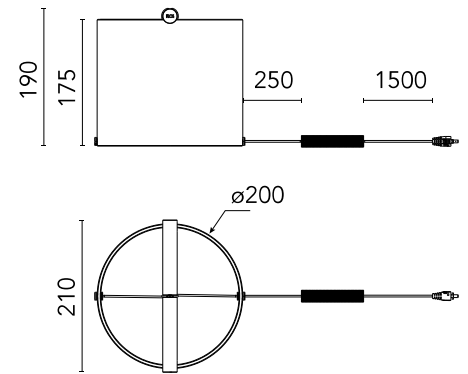
To-Tie T1 NEW

Designed by Guglielmo Poletti, 2022

7W - 314lm - 2700K - CRI> 90



Designed by Guglielmo Poletti Table lamp providing diffused light. Clear glass cylindrical lamp body available in multiple sizes. The handle is made of aluminum and also acts as a light emitter. Multi-led diffuser in specially designed white polycarbonate to avoid the Multi Shadow effect and dazzle. High efficiency LED source with a lifetime of more than 50.000 hours. Electric cable of useful length 180 cm, covered in black fabric and equipped with dimmer switch for ON/OFF and adjustment of the light flow between 10-100%. Plug-in power supply with interchangeable plugs. To-Tie is a future-proof lamp as no glue is used to assemble its different parts. The product can therefore be separated, replaced individually, and recycled separately.



Are you a professional and your project needs consulting and support?

[BOOK AN APPOINTMENT](#)

Main specifications

| | |
|-------------------|---------------------|
| EAN | 8059607047613 |
| Mounting | Table |
| Environments | Indoor dry location |
| Light Source Type | LED |
| LED type | LED Module |
| Power (W) | 7 |
| System flux (lm) | 314 |

Physical

| | |
|---------------------|-------------|
| Colour | Matte Black |
| Length (mm) | 210 |
| Net weight (kg) | 1.5 |
| Package height (mm) | 290 |
| Package width (mm) | 295 |
| Package length (mm) | 295 |
| Package volume (m3) | 0.03 |
| IP internal | 20 |
| H2O stop | No |

Download

Mounting instructions [↓ PDF](#)

Photometric Files

LDT / IES [↓ ZIP](#)

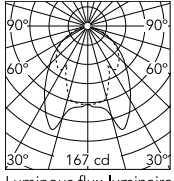
Technical Drawings

2D [↓ ZIP](#)

3D [↓ ZIP](#)



Schematic light drawing



Photometric

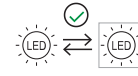
| | |
|--------------------|------------|
| Light distribution | Asymmetric |
| CCT (K) | 2700 |
| CRI> | 90 |

Electrical

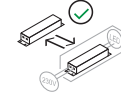
| | |
|----------------------|------------------------|
| Insulation class | III |
| Frequency (Hz) | 50/60 |
| Main voltage (Vac) | 24 |
| LED voltage Vf (Vdc) | 24.00 |
| LED current (mA) | 500 |
| Driver | Remote included |
| Dimmable | Yes |
| Dimming type | Electronic 24V |
| Dimming interface | Dimmer Integrated |
| Plug type | Type G, Type A, Type C |

Ecodesign and Energy Labelling

This product contains a light source of energy efficiency class F



Replaceable (LED only) light source by an end-user



Replaceable control gear by an end-user

Spare Parts



| | | |
|-----|--|-----------|
| 00. | Assembly Coaxial Connector | RF3390130 |
| 00. | Led Board with connectors for To-Tie T1-T2 | RF7541200 |
| 01. | Black plug assembly kit & 24V driver | RF3320100 |
| 02. | Assembly Body for To-Tie T1 Black | RF7541131 |
| 03. | Base for To-Tie T1 | RF7541100 |



RF3390130
Assembly Coaxial Connector



RF7541200
Led Board with connectors for
To-Tie T1-T2



RF3320100
Black plug assembly kit & 24V
driver



RF7541131
Assembly Body for To-Tie T1
Black



RF7541100
Base for To-Tie T1