

FLOS

F6604009 Matte White

Taccia Small

Designed by Achille and Pier Giacomo Castiglioni, 1962

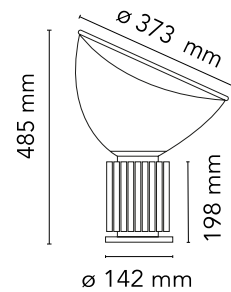


16W - 2700K

Table lamp providing indirect and reflected light. Reflector in painted aluminium, gloss white on the outside and matt white on the inside. Directionable diffuser in transparent blown glass. Body in matt black, white or naturally anodized extruded aluminium. Base in nickel-plated ABS+PC. Electric cable of useful length 190 cm, with dimmer switch for ON/OFF and adjustment of the light flow between 10-100%. Plug-in power supply with interchangeable plugs.

Are you a professional and your project needs consulting and support?

BOOK AN APPOINTMENT



Main specifications

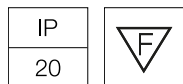
EAN	8059607058947
Mounting	Table floor
Environments	Indoor dry location
Light Source Type	LED
LED type	LED array
Power (W)	16

Physical

Colour	Matte White
Length (mm)	142
Cord colour	White
Cord length (mm)	1900
Net weight (kg)	4.25
Package volume (m3)	0.11
IP internal	20

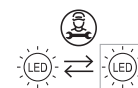
Download

Mounting instructions	PDF
Mounting instructions	PDF
Spare Parts	PDF

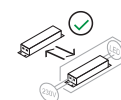


Ecodesign and Energy Labelling

This product contains a light source of energy efficiency class D



Replaceable (LED only) light source by a professional



Replaceable control gear by an end-user

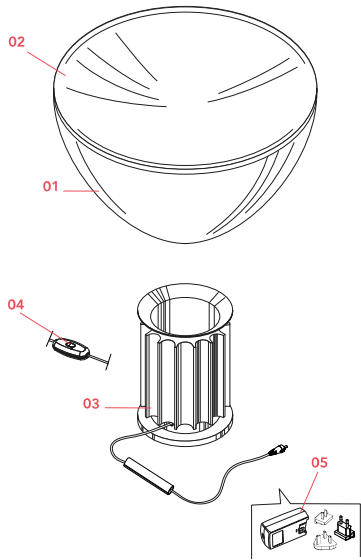
Photometric

Lighting type	Indirect
Light distribution	Asymmetric
CCT (K)	2700
Extreme cut off	No

Electrical

Insulation class	III
Frequency (Hz)	50/60
Main voltage (Vac)	100-240/24
LED voltage Vf (Vdc)	null
Power Supply	Remote included
Power Supply Type	Electronic 24V
Plug type	Type G, Type A, Type C
Batteries inside	No

Spare Parts



DOWNLOAD