

FLOS

F6602004 Silver

Taccia

Designed by Achille and Pier Giacomo Castiglioni, 1962

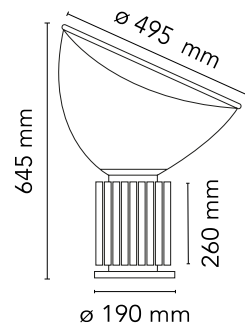
28W - 2700K



Table lamp providing indirect and reflected light. Reflector in painted aluminium, gloss white on the outside and matt white on the inside. Directionable diffuser in transparent mouth-blown glass. Body in matt black. silver anodized or bronze anodized aluminium. Base in nickel-plated metal. Electric cable of useful length 220 cm, with dimmer switch for ON/OFF and adjustment of the light flow between 10-100%. Plug-in power supply with interchangeable plugs.

Are you a professional and your project needs consulting and support?

[BOOK AN APPOINTMENT](#)



Main specifications

EAN	8059607006672
Mounting	Table floor
Environments	Indoor dry location
Light Source Type	LED
LED type	LED array
Power (W)	28

Physical

Colour	Silver
Cord length (mm)	2200
Net weight (kg)	10.74
Package volume (m3)	0.18
IP internal	20

Download

Mounting instructions	↓ PDF
Mounting instructions	↓ PDF
Spare Parts	↓ PDF

Photometric Files

LDT / IES	↓ ZIP
-----------	-----------------------

Technical Drawings

2D	↓ ZIP
3D	↓ ZIP



IP
20

Photometric

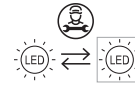
Lighting type	Indirect
Light distribution	Asymmetric
CCT (K)	2700

Electrical

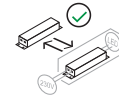
Insulation class	III
Frequency (Hz)	50/60
Main voltage (Vac)	100-240/48
LED voltage Vf (Vdc)	null
Driver	Remote included
Dimmable	Yes
Dimming type	Electronic 48V
Dimming interface	Dimmer Integrated
Plug type	Type G, Type A, Type C
Batteries inside	No
Charging min time	No

Ecodesign and Energy Labelling

This product contains a light source of energy efficiency class **D**

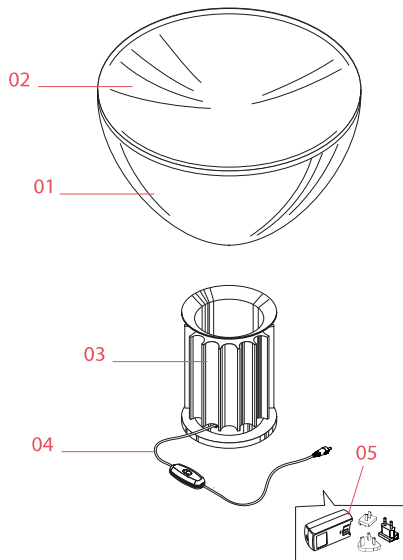


Replaceable (LED only) light source by a professional



Replaceable control gear by an end-user

Spare Parts



- | | | |
|-----|---|-----------|
| 01. | Taccia transparent diffuser & reflector | F6510000 |
| 02. | White reflector | RF00780 |
| 03. | Anodized silver base | F6608004 |
| 04. | Jack plug with cable and push dimmer | RF6608100 |
| 05. | Black plug assembly kit & 48V driver | RF3320400 |

DOWNLOAD



F6510000
Taccia transparent diffuser &
reflector



RF00780
White reflector



F6608004
Anodized silver base



RF6608100
Jack plug with cable and push
dimmer



RF3320400
Black plug assembly kit & 48V
driver