

FLOS

■ F6563030 Black

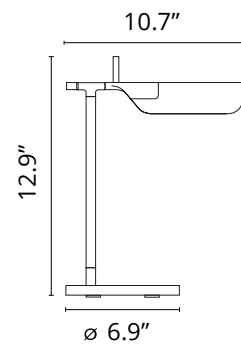
Tab Table

Designed by Edward Barber and Jay Osgerby, 2011



9W - 347lm - 2700K - CRI> 80

A brand new edition of the Tab family, now with new capabilities in new colors. This new edition of Tab table lamp has an adjustable head with a 90-degree rotation capability emitting direct light. Features a dimmer switch on cord. Available in two new finishes matte blue and matte dark green, as well as black. Part of the Tab family created by the design duo of E. Barber and J. Osgerby in 2011, the Tab Table lamp is a tribute to the spirit of innovation. Lamp body painted with pressofused aluminum. Its multi-LED diffuser is specially designed PMMA (Polymethyl methacrylate), created to avoid multi-shadow effect and dazzle. Inspiration behind the design: E. Barber and J. Ogersby keep one goal in mind when they begin a creation: Challenge everything. When we are commissioned to design a product, we seek to re-evaluate the archetype, to challenge precedents. We always look at different ways in which products can be manufactured, not necessarily by using new materials or radical re-thinking, but maybe by using existing techniques in a more original or intelligent way.



Are you a professional and your project needs consulting and support?

[BOOK AN APPOINTMENT](#)

Main specifications

EAN	8059607006535
Mounting	Table
Environments	Indoor dry location
Light Source Type	LED
Light sources included	Yes
LED type	LED Module
Power (W)	9
System flux (lm)	347

Physical

Color	Black
Length (in)	6.89
Cord color	Black
Net weight (lb)	2.01
Package height (in)	7.48
Package width (in)	12.6
Package length (in)	16.14
Package volume (in)	1521.21
IP internal	20

Download

[Mounting instructions](#)  PDF

[Mounting instructions](#)  PDF

Photometric Files

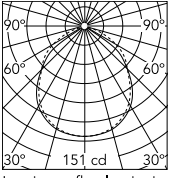
[LDT / IES](#)  LDT

Technical Drawings

[2D](#)  ZIP



Schematic light drawing



Photometric

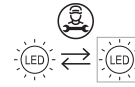
Light distribution	Asymmetric
CCT (K)	2700
CRI>	80
Extreme cut off	No

Electrical

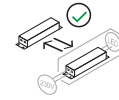
Insulation class	III
Frequency (Hz)	50/60
Main voltage (Vac)	100-240
Driver	Remote included
Dimmable	Yes
Dimming type	Electronic 24V
Dimming interface	Dimmer Integrated
Plug type	Type G, Type A, Type C
Batteries inside	No

Ecodesign and Energy Labelling

This product contains a light source of energy efficiency class D

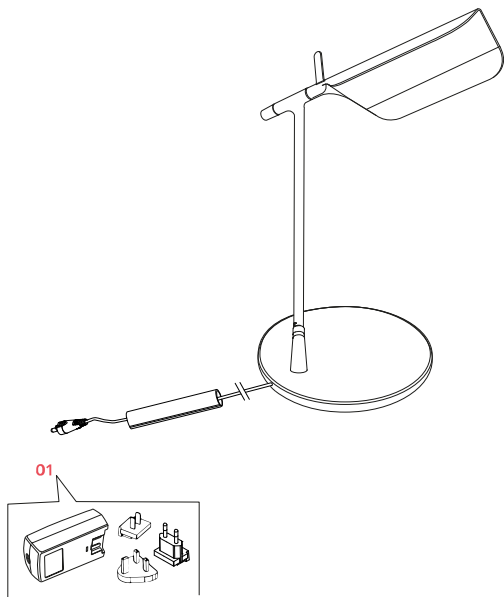


Replaceable (LED only) light source by a professional



Replaceable control gear by an end-user

Spare Parts



01. Black plug assembly kit & 24V driver

RF3320100



RF3320100

Black plug assembly kit & 24V
driver