

FLOS

|| D301F01C3EAF2 Steel

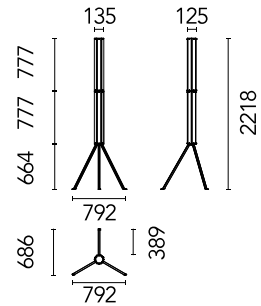
SuperWire F

Designed by Formafantasma, 2024

56W - 4140lm - 2700K - CRI > 90



SuperWire is the first family of modular lamps designed by Formafantasma for Flos. A magical and poetic project, with an essential design but a great stage presence, which recalls the work of the great glass masters of the last century. Made of planar glass and polished aluminum, its design originated from the development of a custom-made light source that emits a warm and homogeneous light. Made up of one or more hexagons of planar glass connected by a polished aluminum element, SuperWire lights up its entire surface thanks to a new source: a very thin, flat, soft, flexible LED strip measuring up to one meter, which emits a warm and homogeneous light along its entire length and which can be easily removed for replacement and repair, unique in the panorama of LED bulb-less lamps. This floor version, is built with two 75 cm high modules, placed one above the other, resting on a steel tripod, a tribute to the historic Luminator by the Castiglioni brothers.



Are you a professional and your project needs consulting and support?

[BOOK AN APPOINTMENT](#)

Download

[Mounting instructions](#)

[PDF](#)

Main specifications

EAN	8059607068304
Mounting	Floor
Environments	Indoor dry location
Light source type	LED
Light sources included	Yes
LED type	Filament LED
Power (W)	56
System power (W)	56
System flux (lm)	4140

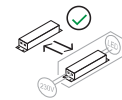
Physical

Colour	Steel
Length (mm)	792
Cord colour	Clear
Cord length (mm)	3000
Net weight (kg)	12
Package volume (m3)	0.14
IP internal	20

Ecodesign and Energy Labelling



Replaceable (LED only) light source by an end-user



Replaceable control gear by an end-user



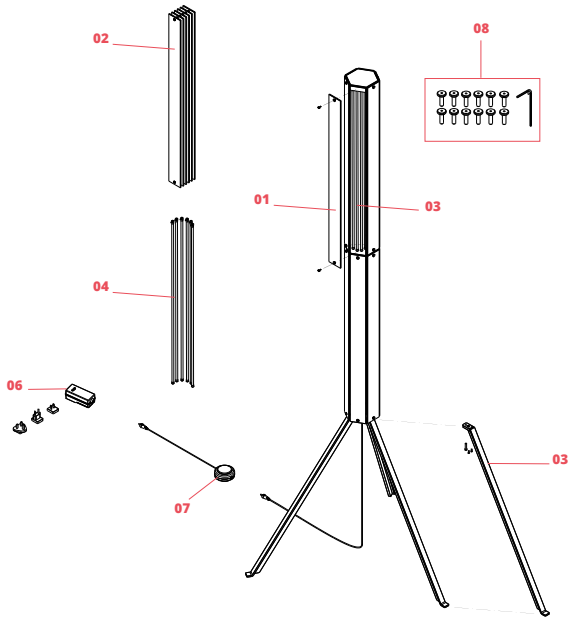
Photometric

Lighting type	Total
Light distribution	Asymmetric
CCT (K)	2700
CRI>	90
Extreme cut off	No

Electrical

Insulation class	III
Frequency (Hz)	50/60
Main voltage (Vac)	100-240
Power supply	Remote included
Dimmable	Yes
Power supply type	Dimmable
Dimming interface	Dimmer Integrated
Plug type	Type G, Type A, Type C
Batteries inside	No

Spare Parts



- | | | |
|-----|-------------------------------------------------------------|-----------|
| 01. | Superwire F long glass plate and bushings | RF301F200 |
| 02. | Superwire F long glass plates and bushings kit 6 pcs | RF301F300 |
| 03. | Superwire F Led L750 L750 40MA/42VDC/27K filament | RF301F400 |
| 04. | Superwire F Led L750 L750 40MA/42VDC/27K filament kit 6 pcs | RF301F500 |
| 05. | Superwire F Brill leg assembly | RF301F164 |
| 06. | Black plug assembly kit & 48V driver | RF6600130 |
| 07. | Switch dimmer assembly 48V | RF37195 |
| 08. | Kit with special screws | RF301T100 |



RF301F200
Superwire F long glass plate and bushings



RF301F300
Superwire F long glass plates and bushings kit 6 pcs



RF301F400
Superwire F Led L750 L750 40MA/42VDC/27K filament



RF301F500
Superwire F Led L750 L750 40MA/42VDC/27K filament kit 6 pcs



RF301F164
Superwire F Brill leg assembly



RF6600130
Black plug assembly kit & 48V driver



RF37195
Switch dimmer assembly 48V



RF301T100
Kit with special screws