

FLOS

■ F6630030 Black

Superloon

Designed by Jasper Morrison, 2015

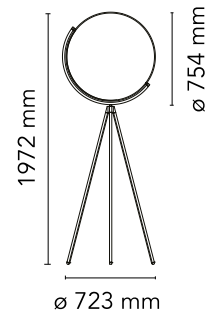
48W - 2716lm - 2200-2800K



Adjustable floor lamp providing direct light. Painted or chrome-plated aluminium body with metal spinning head, die-cast joints and extruded stem. Silk screened PMMA diffuser. Edge Lighting technology light source. Optical switch sensor placed on the stem that provide Warm Tone dimming function. Power cord length 250 cm. Plug-in power supply with interchangeable plugs.

Are you a professional and your project needs consulting and support?

[BOOK AN APPOINTMENT](#)



Main specifications

Mounting	Floor
Environments	Indoor dry location
Light Source Type	LED
LED type	LED Module
Power (W)	48
System flux (lm)	2716

Physical

Colour	Black
Length (mm)	754
Net weight (kg)	11
Package volume (m3)	0.11
IP internal	20

Download

Mounting instructions	↓ PDF
Mounting instructions	↓ PDF
Spare Parts	↓ PDF

Photometric Files

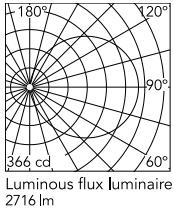
LDT / IES	↓ LDT
---------------------------	-------

Technical Drawings

2D	↓ ZIP
3D	↓ ZIP



Schematic light drawing



Photometric

Lighting type	Direct
Light distribution	Roto symmetric
CCT (K)	2200-2800

Electrical

Insulation class	III
Frequency (Hz)	50/60
Main voltage (Vac)	100-240/48
LED voltage Vf (Vdc)	null
Driver	Remote included
Dimmable	Yes
Dimming type	Electronic 48V
Dimming interface	Dimmer Integrated
Plug type	Type G, Type A, Type C
Batteries inside	No

Ecodesign and Energy Labelling

This product contains a light source of energy efficiency class D

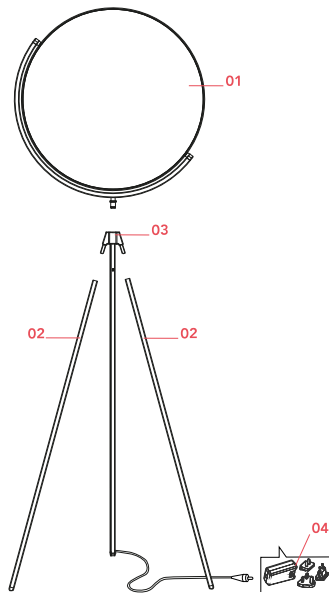


Replaceable (LED only)
light source by a
professional



Replaceable control
gear by an end-user

Spare Parts



- | | | |
|-----|--------------------------------------|-----------|
| 01. | Black diffuser | F6632030 |
| 02. | Mobile legs | RF25185 |
| 03. | Black electrified fixed leg | RF6630130 |
| 04. | Black plug assembly kit & 48V driver | RF3320400 |
| 10. | Assembly Coaxial Connector | RF3390130 |

DOWNLOAD



F6632030
Black diffuser



RF25185
Mobile legs



RF6630130
Black electrified fixed leg



RF3320400
Black plug assembly kit & 48V driver



RF3390130
Assembly Coaxial Connector