

FLOS

F6630009 White

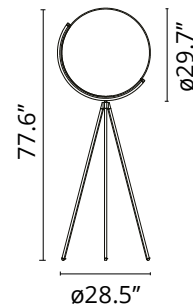
Superlooon

Designed by Jasper Morrison, 2015

48W - 2716lm - 2200-2800K



The serene, harmonious glow of the moon inspired this innovative and first-of-its-kind design from designer Jasper Morrison. Using revolutionary Edge Lighting Technology, the Superlooon combines maximum performance and efficiency with visual comfort. This striking floor lamp includes a Dim-to-Warm function that responds to adjustments in intensity: As it dims, light transitions from a colder blue to a warmer tone, as with a well-loved filament lamp. The Superlooon provides direct light. Its painted or chrome-plated aluminum body features a metal spinning head, die-cast joints, and an extruded stem. The diffuser is silk-screened PMMA (Polymethyl methacrylate). The light source is Edge Lighting, and there is an optical switch sensor on the stem that enables the warm tone dimming function. The stem includes the Soft Touch sensor, which guarantees a fluid and precise control of light flow with a simple and natural touch of the hand. The power cord is 250 centimeters long. There is a plug-in power supply with interchangeable plugs. Inspiration behind the design: It was a few years ago that Piero Gandini introduced Jasper Morrison to the innovative use of LED technology that became known as "Edge Lighting." Morrison was inspired by the way it allowed him to send light sideways and how, when incorporated into the edge of a flat composite disc of translucent white material, it gave the appearance of a flat white disc. "Superlooon is the answer to the question of what to do with this intriguing technology," says Morrison. "Mounting the disc on a gyroscopic axis allows the light to be [sent] in infinite directions. The light it gives out is broad and diffused but can be dimmed to a soft glow.". Learn more about Superlooon here.



Download

Mounting instructions [↓ PDF](#)

Mounting instructions [↓ PDF](#)

Photometric Files

LDT / IES [↓ LDT](#)

Technical Drawings

2D [↓ ZIP](#)

3D [↓ ZIP](#)

Are you a professional and your project needs consulting and support?

[BOOK AN APPOINTMENT](#)

Main specifications

Mounting	Floor
Environments	Indoor dry location
Light Source Type	LED
Light sources included	Yes
LED type	LED Module
Power (W)	48
System flux (lm)	2716

Physical

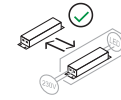
Color	White
Length (in)	29.68
Cord color	Black
Net weight (lb)	24.25
Package volume (in)	6683.77
IP internal	20

Ecodesign and Energy Labelling

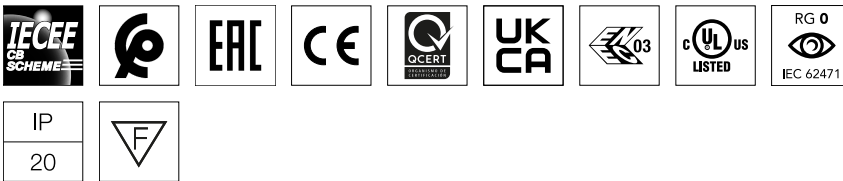
This product contains a light source of energy efficiency class D



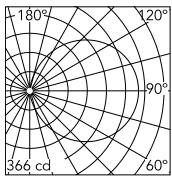
Replaceable (LED only) light source by a professional



Replaceable control gear by an end-user



Schematic light drawing



Luminous flux luminaire
2716 lm

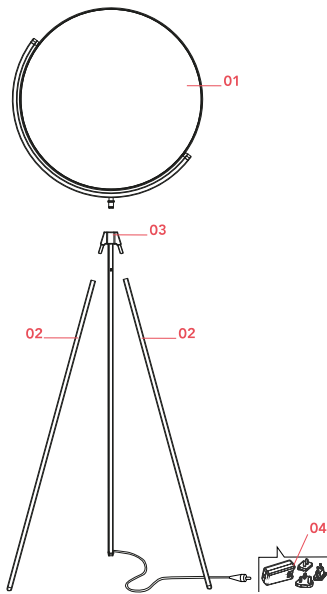
Photometric

Lighting type	Direct
Light distribution	Roto symmetric
CCT (K)	2200-2800
Extreme cut off	No

Electrical

Insulation class	III
Frequency (Hz)	50/60
Main voltage (Vac)	100-240
Driver	Remote included
Dimmable	Yes
Dimming type	Electronic 48V
Dimming interface	Dimmer Integrated
Plug type	Type G, Type A, Type C
Batteries inside	No

Spare Parts



- | | | |
|-----|--------------------------------------|-----------|
| 01. | White diffuser | F6632009 |
| 02. | Mobile legs | RF25184 |
| 03. | White electrified fixed leg | RF6630209 |
| 04. | Black plug assembly kit & 48V driver | RF6600130 |



F6632009

White diffuser



RF25184

Mobile legs



RF6630209

White electrified fixed leg



RF6600130

Black plug assembly kit & 48V driver