

# FLOS

F6611009 White

## Spun Light Table 2

Designed by Sebastian Wrong, 2003

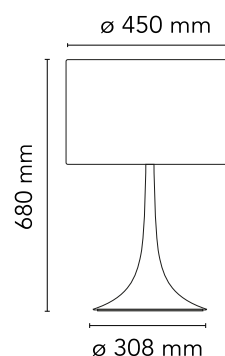


Halogen - 150W

Table/desk lamp providing diffused light. Spun metal frame and diffuser, die-cast aluminum diffuser support arms and lampholder support, painted in the colors indicated below. White, injection-molded polycarbonate diffuser supports. Sandblasted pressed glass upper diffuser screen. On the cable there is the electronic dimmer which allows the regulation of light brightness.

Are you a professional and your project needs consulting and support?

[BOOK AN APPOINTMENT](#)



### Main specifications

EAN	8059607023013
Mounting	Table
Environments	Indoor dry location
Light Source Type	Bulb
Lamp category	Halogen
Lamp holders	E27
Ilcos	HSGS
Number of heads	1
Power (W)	150

### Physical

Colour	White
Length (mm)	450
Cord length (mm)	1700
Net weight (kg)	5.6
Package height (mm)	770
Package width (mm)	505
Package length (mm)	505
Package volume (m3)	0.2
IP internal	20

### Download

[Mounting instructions](#) PDF

[Spare Parts](#) PDF

### Photometric Files

[LDT / IES](#) LDT

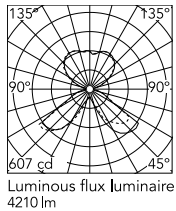
### Technical Drawings

[2D](#) ZIP

[3D](#) ZIP



## Schematic light drawing



### Photometric

Light distribution	Symmetric
Extreme cut off	No

### Electrical

Insulation class	II
Frequency (Hz)	50/60
Main voltage (Vac)	220-240
LED voltage Vf (Vdc)	null
Dimmable	Yes
Dimming interface	Dimmer Integrated
Plug type	Type C
Batteries inside	No

## Bulbs



NOT INCLUDED

RF26998

LED 21W E27 2450lm 3000K  
DIMMER

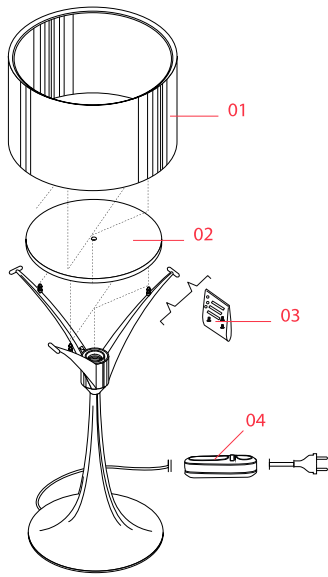


NOT INCLUDED

RF30429

LED Opal Lamp E27 21W 2700K  
A65 Dimmable

## Spare Parts



- |     |   |           |
|-----|---|-----------|
| 01. | Spun Light T2 diffusers                   | RF11717   |
| 02. | T2 anti-glare glass                       | RF11696   |
| 03. | Bag with diffuser supports and o-<br>ring | RF6610100 |

**DOWNLOAD**



RF11717

Spun Light T2 diffusers



RF11696

T2 anti-glare glass



RF6610100

Bag with diffuser supports and o-ring