

# FLOS

F6610009 White

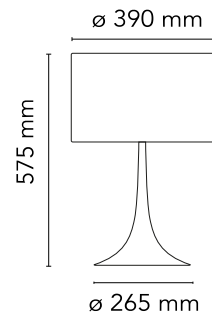
## Spun Light Table 1

Designed by Sebastian Wrong, 2003



Halogen - 150W

Table/desk lamp providing diffused light. Spun metal frame and diffuser, die-cast aluminum diffuser support arms and lampholder support, painted in the colors indicated below. White, injection-molded polycarbonate diffuser supports. Sandblasted pressed glass upper diffuser screen. On the cable there is the electronic dimmer which allows the regulation of light brightness.



Are you a professional and your project needs consulting and support?

[BOOK AN APPOINTMENT](#)

### Main specifications

EAN	8059607022825
Mounting	Table
Environments	Indoor dry location
Light Source Type	Bulb
Lamp category	Halogen
Lamp holders	E27
Ilcos	HSGS
Number of heads	1
Power (W)	150

### Physical

Colour	White
Cord length (mm)	1700
Net weight (kg)	4.3
Package height (mm)	660
Package width (mm)	480
Package length (mm)	480
Package volume (m3)	0.15
IP internal	20

### Download

[Mounting instructions](#)  PDF

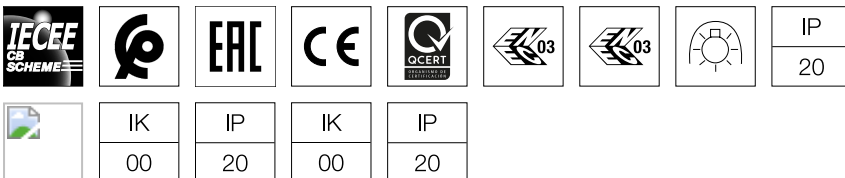
[Spare Parts](#)  PDF

### Photometric Files

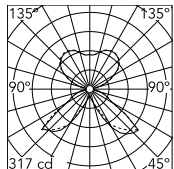
[LDT / IES](#)  LDT

### Technical Drawings

[2D](#)  ZIP



## Schematic light drawing



Luminous flux Luminaire  
2400 lm

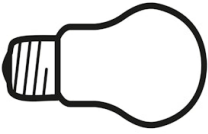
### Photometric

Light distribution	Symmetric
Extreme cut off	No

### Electrical

Insulation class	II
Frequency (Hz)	50/60
Main voltage (Vac)	220-240
LED voltage Vf (Vdc)	null
Dimmable	Yes
Dimming interface	Dimmer Integrated
Plug type	Type C
Batteries inside	No

## Bulbs



NOT INCLUDED

RF25317

LED Opal Lamp E27 8W 3000K  
A60 Dimmable

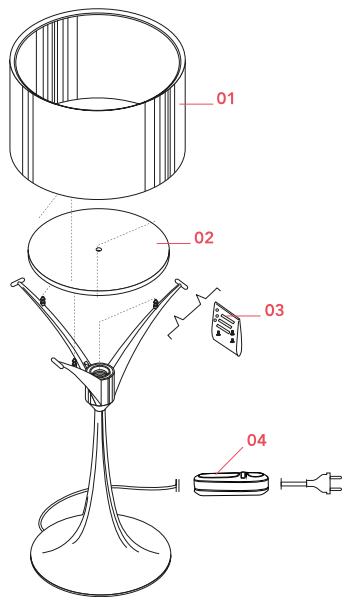


NOT INCLUDED

RF25323

LED Opal Lamp E27 8W 2700K  
A60 Dimmable

## Spare Parts



- 01. Spun Light T1 diffuser RF11712
- 02. Spun Light Table 1 anti-glare glass RF11695
- 03. Bag with diffuser supports and o-ring RF6610100

**DOWNLOAD**



RF11712

Spun Light T1 diffuser



RF11695

Spun Light Table 1 anti-glare glass



RF6610100

Bag with diffuser supports and o-ring