

# FLOS

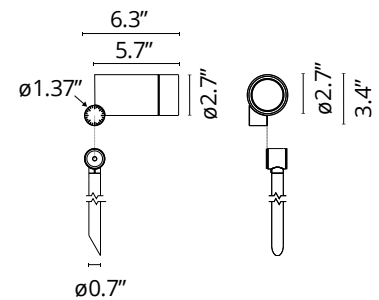
■ F025G4EAU30 Black

## Spine F 1 Ultra

Designed by Vincent Van Duysen, 2021



Power LED source included. Equipped with an integrated snoot for higher visual comfort: the asymmetrical cut visor is available as an accessory. Collimators are available as an accessory to modify the beam opening. Integrated electric power supply ON/OFF. Equipped with a 5 m neoprene cable (10 m upon request) for remote connection. To guarantee its water tightness, it is recommended to use flexible cables designed for outdoor use. The rod for ground installations is available in two sizes and needs to be ordered separately.



Are you a professional and your project needs consulting and support?

[BOOK AN APPOINTMENT](#)

### Main specifications

EAN	8054793731025
Mounting	Ground
Environments	Outdoor wet location
Light Source Type	LED
Light sources included	Yes
LED type	Power LED
System power (W)	7.9
Source flux (lm)	174
System flux (lm)	149

### Physical

Color	Black
Rotation (°)	360
Longitudinal tilting (°)	270
Cord length (in)	0.197
Net weight (lb)	1.98
Package height (in)	7.48
Package width (in)	9.65
Package length (in)	11.02
Package volume (in)	795.39
IP internal	66
IP external	66

### Download

[Family spec sheet](#)  ZIP

[Mounting instructions](#)  ZIP

### Photometric Files

[LDT / IES](#)  ZIP

### Technical Drawings

[2D](#)  ZIP

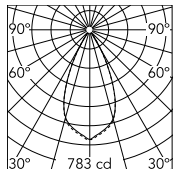
[3D](#)  ZIP

### Ecodesign and Energy Labelling

This product contains a light source of energy efficiency class E



## Schematic light drawing



Beam Angle: 49°

h(m)	E(lx)	D(m)
1	783	0.91
2	196	1.81
3	87	2.72
4	49	3.63
5	31	4.53

Luminous flux Luminaire  
505 lm

### Photometric

Lighting type	Direct
Light distribution	Symmetric
CCT (K)	4000
CRI>	80

### Electrical

Insulation class	I
Frequency (Hz)	50/60
Main voltage (Vac)	110-127
Driver	Integrated
Dimmable	No
Dimming type	Non Dimmable
Dimming interface	Not Dimmable

### Notes

5 m neoprene cable (10 m upon request) for remote connection.

## Accessories & Power Supply



REQUIRED  
Accessory

F026Z020030

Rod Ø20 mm h 200 mm



REQUIRED  
Accessory

F026Z030030

Rod Ø20 mm h 500 mm



OPTIONAL  
Accessory

F025Z060000

Honeycomb Louvre



OPTIONAL  
Accessory

F025Z050030

Visor



OPTIONAL  
Accessory

F029Z010000

Converter Spine 1 Optic Medium  
Flood



OPTIONAL  
Accessory

F029Z011000

Converter Spine 1 Optic Flood



OPTIONAL  
Accessory

F029Z012000

Converter Spine 1 Optic Wide  
Flood



OPTIONAL  
Accessory

F029Z013000

Converter Spine 1 Optic Elliptic 1



OPTIONAL  
Accessory

F029Z014000

Converter Spine 1 Optic Elliptic 2



OPTIONAL  
Accessory

F029Z015000

Converter Spine 1 Optic Wall  
Washer