

# FLOS

■ F6380030 Black

## Snoopy

Designed by Achille and Pier Giacomo Castiglioni, 1967



Halogen - 100W

Table lamp giving direct light with enamelled metal reflector and white Carrara's marble base. It was designed by Achille e Pier Giacomo Castiglioni in 1967.

Are you a professional and your project needs consulting and support?

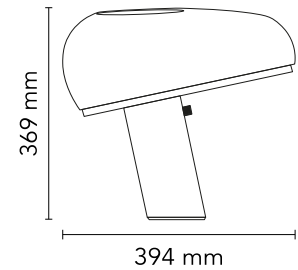
[BOOK AN APPOINTMENT](#)

### Main specifications

Mounting	Table
Environments	Indoor dry location
Light Source Type	Bulb
Lamp category	Halogen
Lamp holders	E27
Iicos	HSGS
Number of heads	1
Power (W)	100

### Physical

Colour	Black
Length (mm)	394
Cord colour	Black
Net weight (kg)	7.99
Package volume (m3)	0.1
IP internal	20



### Download

[Mounting instructions](#)  PDF

[Spare Parts](#)  PDF

### Photometric Files

[LDT / IES](#)  LDT

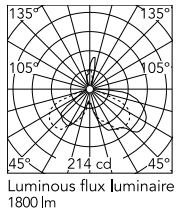
### Technical Drawings

[2D](#)  ZIP

[3D](#)  ZIP



## Schematic light drawing



### Photometric

Lighting type	Indirect, Direct
Light distribution	Asymmetric
Extreme cut off	No

### Electrical

Insulation class	II
Frequency (Hz)	50/60
Main voltage (Vac)	220-240
LED voltage Vf (Vdc)	null
Dimmable	Yes
Dimming interface	Dimmer Integrated
Plug type	Type C
Batteries inside	No

## Bulbs



NOT INCLUDED

RF25317

LED Opal Lamp E27 8W 3000K  
A60 Dimmable

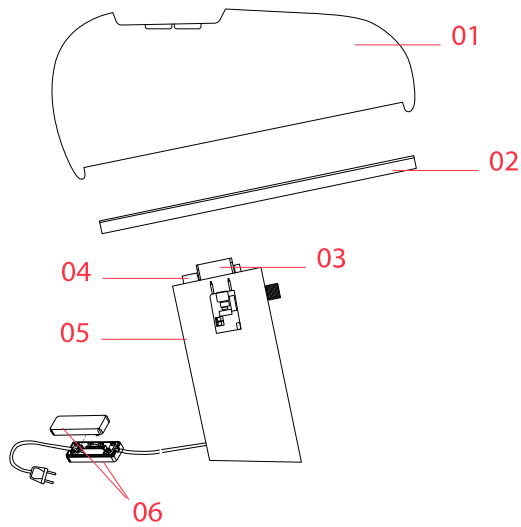


NOT INCLUDED

RF25323

LED Opal Lamp E27 8W 2700K  
A60 Dimmable

## Spare Parts



- |     |                                   |         |
|-----|-----------------------------------|---------|
| 01. | Black reflector                   | RF80966 |
| 02. | Snoopy glass diffuser             | RF84656 |
| 03. | E27 lamp holder                   | RF11912 |
| 04. | Ring nut                          | RF11919 |
| 06. | Electrical assembly with fuse box | RF12478 |

**DOWNLOAD**



RF80966  
Black reflector



RF84656  
Snoopy glass diffuser



RF11912  
E27 lamp holder



RF11919  
Ring nut



RF12478  
Electrical assembly with fuse box