

# FLOS

F1369021 Mud

## Smithfield Suspension Pro dimmable DALI

Designed by Jasper Morrison, 2009



45W - 2791lm - 2700K

Suspension lamp with direct light. Aluminium body. Available in gloss black, white, matt black, green, red or MUD. Injection-moulded opalescent methacrylate diffuser. Steel ceiling attachment with steel suspension cable, 5 pole electric cable in PTFE double insulation, working length 2700 mm. Control DALI dimmable.

Are you a professional and your project needs consulting and support?

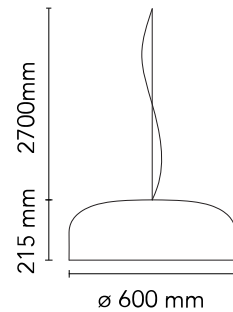
[BOOK AN APPOINTMENT](#)

### Main specifications

EAN	8059607015124
Mounting	Suspension
Environments	Indoor dry location
Light Source Type	LED
LED type	LED Module
Power (W)	45
System flux (lm)	2791

### Physical

Colour	Mud
Cord length (mm)	2700
Net weight (kg)	5.8
Package volume (m3)	0.16
IP internal	20



### Download

[Mounting instructions](#) PDF

[Spare Parts](#) PDF

### Photometric Files

[LDT / IES](#) LDT

### Technical Drawings

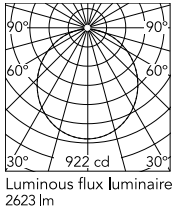
[2D](#) ZIP

[3D](#) ZIP

[Bim](#) ZIP



## Schematic light drawing



## Photometric

Lighting type	Direct
Light distribution	Roto symmetric
CCT (K)	2700

## Electrical

Insulation class	I
Frequency (Hz)	50/60
Main voltage (Vac)	200-240
LED voltage Vf (Vdc)	null
Driver	Integrated
Dimmable	Yes
Dimming type	Dimmable DALI 1
Dimming interface	Remote Dimmable (Dimmer Not Included)
Batteries inside	No
Charging min time	No

## Ecodesign and Energy Labelling

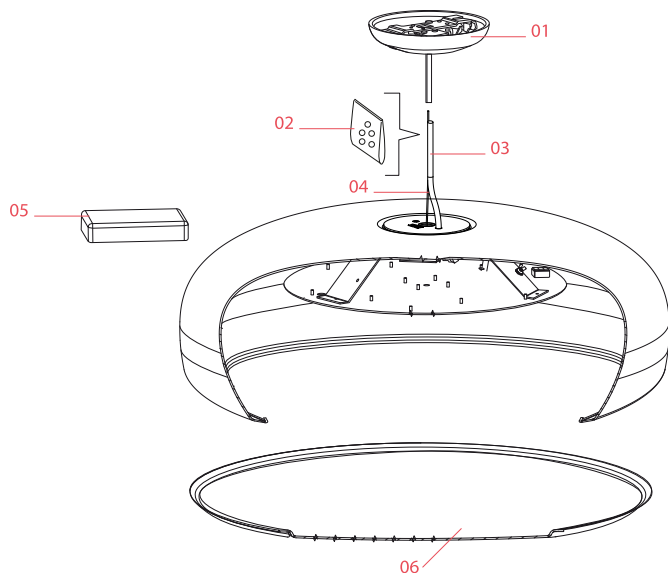


Replaceable (LED only)  
light source by a  
professional



Replaceable control  
gear by a professional

## Spare Parts



**DOWNLOAD**