


# FLOS

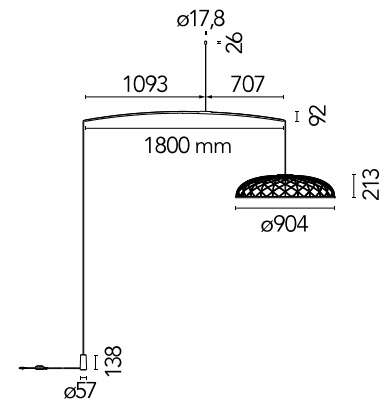
 F6394035 Brick Red

## Skynest Motion

Designed by Marcel Wanders, Marcel Wanders studio, 2022

57W - 1515lm - 2700-2900K - CRI > 90

Diffuse lighting hanging appliance. The dome is a combination of luminous and dark elements arranged into a network and formed of core structures covered with a thin interwoven colourful tubular mesh made from recycled and recyclable fabric produced from polyester. Every single luminous element is powered by special micro-connectors located at the top of the dome and is covered with a two-tone mesh, while the side facing the inside of the dome is always white in order to allow for optimal light emission from the LED module. The appliance is fitted with a built-in balancing system at the top of the dome which helps adjust its balance, making it perfectly stable. The bottom of the dome is completed by an aluminium ring that keeps the dome's entire network structure in place through a simple snap-fit system. The product is assembled with absolutely no glue so it can be fully separated to be recycled in the future and in case of any repairs or replacements. Available lamp finishes: Blue Tourmaline, Almond, Anthracite or Brick Red. Plastic structure painted with the same finish as the lamp, fitted with built-in electronics and dimmer.



Are you a professional and your project needs consulting and support?

[BOOK AN APPOINTMENT](#)

### Download

Mounting instructions



PDF

### Photometric Files

LDT / IES



ZIP

## Main specifications

EAN	8059607057223
Mounting	Suspension
Environments	Indoor dry location
Light Source Type	LED
LED type	LED Module
Power (W)	57
System power (W)	57
System flux (lm)	1515

## Physical

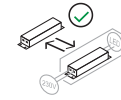
Colour	Brick Red
Length (mm)	2300
Cord colour	Red
Cord length (mm)	6000
Canopy colour	Red
Canopy dimension (mm)	18
Canopy height (mm)	25
Net weight (kg)	6
Package volume (m3)	0.33
IP internal	20

## Ecodesign and Energy Labelling

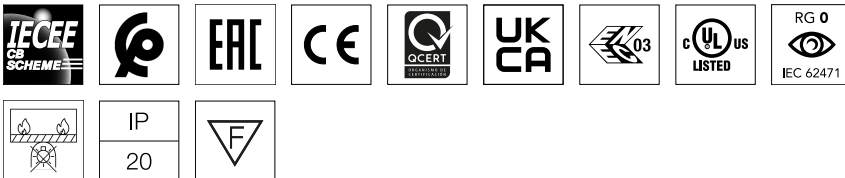
This product contains a light source of energy efficiency class F



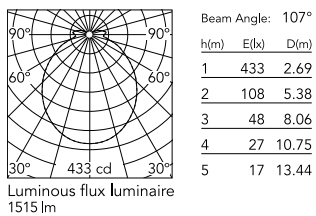
Replaceable (LED only) light source by an end-user



Replaceable control gear by an end-user



## Schematic light drawing



## Photometric

Lighting type	Total
Light distribution	Symmetric
CCT (K)	2700-2900
CRI>	90
Extreme cut off	No

## Electrical

Insulation class	III
Main voltage (Vac)	100-240/48
LED voltage Vf (Vdc)	null
Power Supply	Integrated
Dimmable	Yes
Power Supply Type	Electronic 48V
Dimming interface	Dimmer Integrated
Plug type	Type G, Type A, Type C