

■ F4682033 Textured anthracite

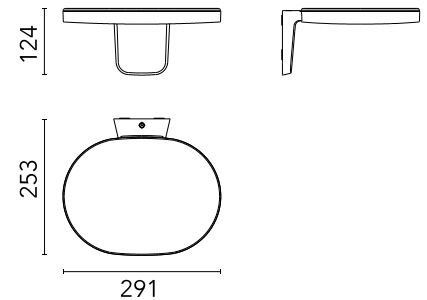
## Oplight

Designed by Jasper Morrison, 2021



25W - 2065lm - 2700K - CRI> 90

Indirect light wall lamp. Body in die-cast aluminium with powder coating. Diffusor made of injection-moulded polycarbonate semi-transparent. High efficiency LED source with a lifetime of more than 50.000 hours. The LED source can be easily replaced on site by a professional installer when it comes to the end of its lifecycle. Oplight is a future-proof lamp as no glue is used to assemble its different parts. The product can therefore be separated, replaced individually, and recycled separately.



Are you a professional and your project needs consulting and support?

[BOOK AN APPOINTMENT](#)

### Main specifications

EAN	8059607044438
Mounting	Wall
Environments	Indoor dry location
Light Source Type	LED
LED type	LED Module
Power (W)	25
System flux (lm)	2065

### Physical

Colour	Textured anthracite
Length (mm)	253
Net weight (kg)	1.7
Package volume (m3)	0.02
IP internal	20

### Download

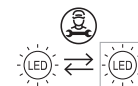
- [Mounting instructions](#)
- [Compatible dimmers](#)
- [Spare Parts](#)

### Photometric Files

- [LDT / IES](#)

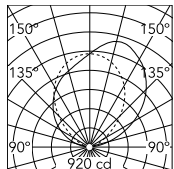


### Ecodesign and Energy Labelling



Replaceable (LED only) light source by a professional

## Schematic light drawing



Beam Angle: 100°

h(m)	E(lx)	D(m)
1	848	2.50
2	212	5.00
3	94	7.50
4	53	10.00
5	34	12.49

Luminous flux Luminaire  
2066 lm

## Photometric

Lighting type	Indirect
Light distribution	Symmetric
CCT (K)	2700
CRI>	90

## Electrical

Insulation class	I
Frequency (Hz)	50/60
Main voltage (Vac)	220-240
Driver	Integrated
Dimmable	Yes
Dimming type	Mains Cut Dimming
Dimming interface	Remote Dimmable (Dimmer Not Included)

## Spare Parts

DOWNLOAD

