

■ F4681030 Satin Black

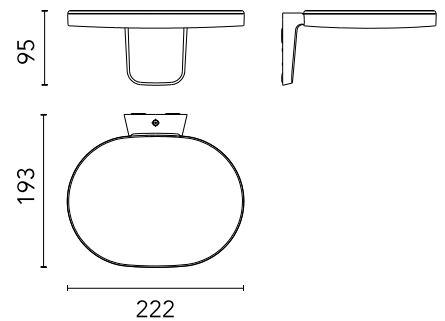
## Oplight

Designed by Jasper Morrison, 2021



16W - 1325lm - 2700K - CRI> 90

Indirect light wall lamp. Body in die-cast aluminium with powder coating. Diffusor made of injection-moulded polycarbonate semi-transparent. High efficiency LED source with a lifetime of more than 50.000 hours. The LED source can be easily replaced on site by a professional installer when it comes to the end of its lifecycle. Oplight is a future-proof lamp as no glue is used to assemble its different parts. The product can therefore be separated, replaced individually, and recycled separately.



Are you a professional and your project needs consulting and support?

[BOOK AN APPOINTMENT](#)

### Main specifications

EAN	8059607040379
Mounting	Wall
Environments	Indoor dry location
Light Source Type	LED
LED type	LED Module
Power (W)	16
System flux (lm)	1325

### Physical

Colour	Satin Black
Length (mm)	195
Net weight (kg)	0.9
Package height (mm)	160
Package width (mm)	280
Package length (mm)	320
Package volume (m3)	0.01
IP internal	20

### Download

- [Mounting instructions](#)
- [Compatible dimmers](#)
- [Spare Parts](#)

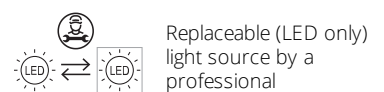
### Photometric Files

- [LDT / IES](#)

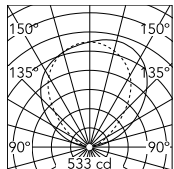


### Ecodesign and Energy Labelling

This product contains a light source of energy efficiency class F



## Schematic light drawing



Beam Angle: 111°

h(m)	E(lx)	D(m)
1	516	2.92
2	129	5.85
3	57	8.77
4	32	11.70
5	21	14.62

Luminous flux Luminaire  
1325 lm

### Photometric

Light distribution	Symmetric
CCT (K)	2700
CRI>	90
Extreme cut off	No

### Electrical

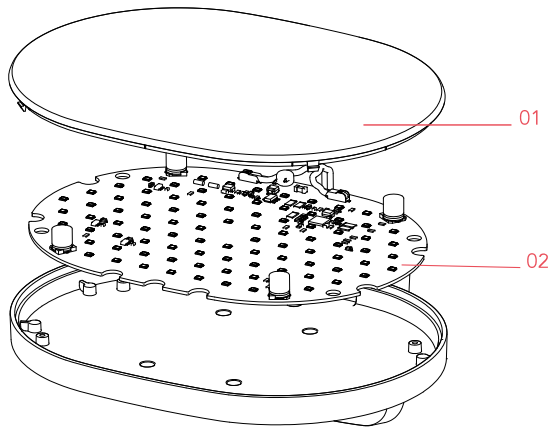
Insulation class	I
Frequency (Hz)	50/60
Main voltage (Vac)	220-240
Power Supply	Integrated
Dimmable	Yes
Power Supply Type	Mains Cut Dimming
Dimming interface	Remote Dimmable (Dimmer Not Included)

## Spare Parts

02. Led Board for Oplight W1

RF4681100

**DOWNLOAD**





RF4681100

Led Board for Oplight W1