

F4681009 Textured White

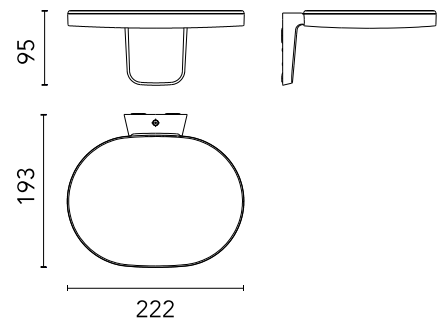
Oplight

Designed by Jasper Morrison, 2021

16W - 1325lm - 2700K - CRI> 90



Indirect light wall lamp. Body in die-cast aluminium with powder coating. Diffusor made of injection-moulded polycarbonate semi-transparent. High efficiency LED source with a lifetime of more than 50.000 hours. The LED source can be easily replaced on site by a professional installer when it comes to the end of its lifecycle. Oplight is a future-proof lamp as no glue is used to assemble its different parts. The product can therefore be separated, replaced individually, and recycled separately.



Are you a professional and your project needs consulting and support?

[BOOK AN APPOINTMENT](#)

Main specifications

EAN	8059607040294
Mounting	Wall
Environments	Indoor dry location
Light Source Type	LED
LED type	LED Module
Power (W)	16
System flux (lm)	1325

Physical

Colour	Textured White
Length (mm)	195
Net weight (kg)	0.9
Package height (mm)	160
Package width (mm)	280
Package length (mm)	320
Package volume (m3)	0.01
IP internal	20

Download

- [Mounting instructions](#)
- [Compatible dimmers](#)
- [Spare Parts](#)

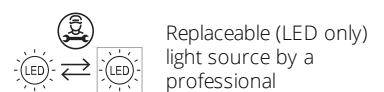
Photometric Files

- [LDT / IES](#)

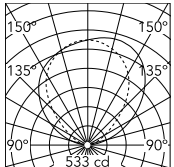


Ecodesign and Energy Labelling

This product contains a light source of energy efficiency class F



Schematic light drawing



Beam Angle: 111°

h(m)	E(lx)	D(m)
1	516	2.92
2	129	5.85
3	57	8.77
4	32	11.70
5	21	14.62

Photometric

Light distribution	Symmetric
CCT (K)	2700
CRI>	90
Extreme cut off	No

Electrical

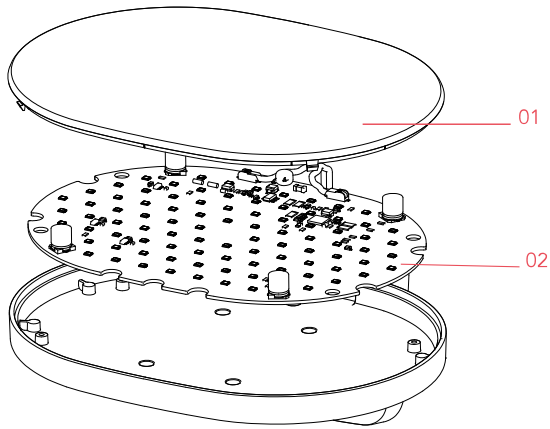
Insulation class	I
Frequency (Hz)	50/60
Main voltage (Vac)	220-240
Power Supply	Integrated
Dimmable	Yes
Power Supply Type	Mains Cut Dimming
Dimming interface	Remote Dimmable (Dimmer Not Included)

Spare Parts

02. Led Board for Oplight W1

RF4681100

DOWNLOAD





RF4681100

Led Board for Oplight W1