

# FLOS

■ F0273000 Black

## Noctambule Suspension 2 Low Cylinder Bowl

Designed by Konstantin Grcic, 2019

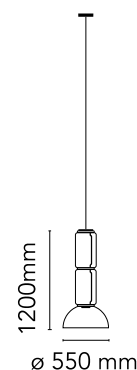


45W - 1007lm - 2700K - CRI> 90

Hanging lamps consisting of interconnecting glass modules reaching a length of 3,2 mt. (126.77") with 4 mt. (157.48") suspended power cable. Cylindrical and semi-spherical transparent blown glass structure, suspended die cast aluminium ring connector, hydroformed steel internal lateral arm and injection moulded optical opal silicone outer ring diffusers. The power supply unit within the ceiling rose can be used as a dimmer to adjust the light intensity by 10% to 100% in either direction by means of the 0-10/1-10V, PUSH, DALI control.

Are you a professional and your project needs consulting and support?

BOOK AN APPOINTMENT



### Main specifications

EAN	8059607000687
Mounting	Suspension
Environments	Indoor dry location
Light source type	LED
Light sources included	Yes
LED type	LED Module
Power (W)	45
System flux (lm)	1007

### Physical

Colour	Black
Length (mm)	250
Cord colour	Black
Cord length (mm)	4000
Canopy colour	Black
Canopy length/diameter (mm)	187
Canopy height (mm)	45
Net weight (kg)	14.2
Package volume (m3)	0.5
IP internal	20

### Download

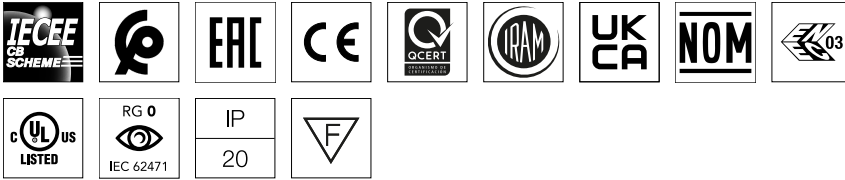
Mounting instructions [↓ PDF](#)  
Mounting instructions [↓ PDF](#)

### Photometric Files

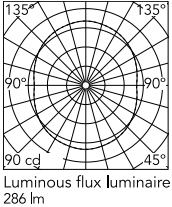
LDT / IES [↓ ZIP](#)

### Technical Drawings

3D [↓ ZIP](#)  
[🔒 Bim](#) [↓ ZIP](#)



## Schematic light drawing



## Photometric

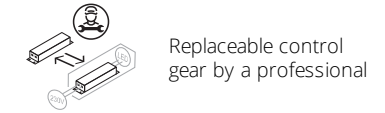
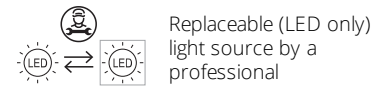
Lighting type	Total
Light distribution	Symmetric
CCT (K)	2700
CRI>	90
Extreme cut off	No

## Electrical

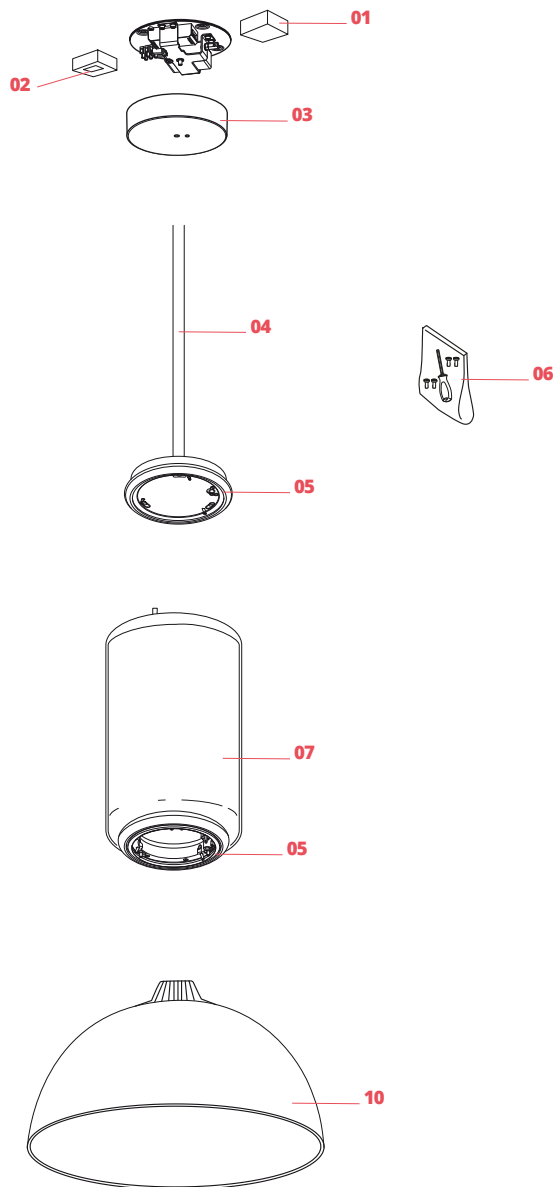
Insulation class	I
Frequency (Hz)	50/60
Main voltage (Vac)	120-277
Power supply	Integrated
Dimmable	Yes
Power supply type	Dimmable 0-10V, Dimmable Push, Dimmable 1-10V, Dimmable DALI 1
Dimming interface	Remote Dimmable (Dimmer Not Included)
Batteries inside	No

## Ecodesign and Energy Labelling

This product contains a light source of energy efficiency class E



## Spare Parts



01.	Power supply kit for Arrangements small & Noctambule	RF0410500
02.	Led dimmer kit	RF0410300
03.	Noctambule ceiling rose cover	RF27422
04.	Suspension attack	F0253030
05.	Ring led diffuser	RF27498
06.	Fixing screws kit	RF0254100
07.	Noctambule Low Cylinder	F0254000
10.	Noctambule Bowl	F0255000



RF0410500  
Power supply kit for  
Arrangements small &  
Noctambule



RF0410300  
Led dimmer kit



RF27422  
Noctambule ceiling rose cover



F0253030  
Suspension attack



RF27498  
Ring led diffuser



RF0254100  
Fixing screws kit



F0254000  
Noctambule Low Cylinder



F0255000  
Noctambule Bowl