

FLOS

05.2997.C5 White

My Circuit Sphere

Designed by Michael Anastassiades, 2023

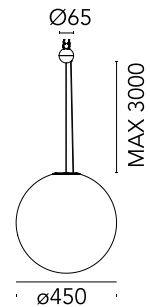


40W - 2268lm - 3000K - CRI> 90 - Beam° 310

Suspended luminaire for installation in the My Circuit system. Diffused omnidirectional emission. Adjustable suspension height. Casambi version for wireless control.

Are you a professional and your project needs consulting and support?

[BOOK AN APPOINTMENT](#)



Main specifications

Mounting	Track
Environments	Indoor dry location
Light source type	LED
Light sources included	Yes
LED type	Top LED
Number of lamps	1
Power (W)	40
Source flux (lm)	3900
Lumen Output (lm)	2268
Efficacy (lm/W)	61

Physical

Colour	White
Orientation	Fixed
Length (mm)	459
Cord colour	White
Cord length (mm)	Max 3000
Net weight (kg)	0.2
IP internal	20

Download

Mounting instructions [↓ PDF](#)

Photometric Files

LDT / IES [↓ ZIP](#)

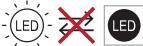
Technical Drawings

2D [↓ ZIP](#)

3D [↓ ZIP](#)

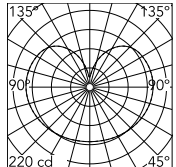


Ecodesign and Energy Labelling

 Non-replaceable light source

 Replaceable control gear by a professional

Schematic light drawing



Beam Angle:

h(m)	E(lx)	D(m)
1	0	
2	0	
3	0	
4	0	
5	0	

Luminous flux Luminaire
2457 lm

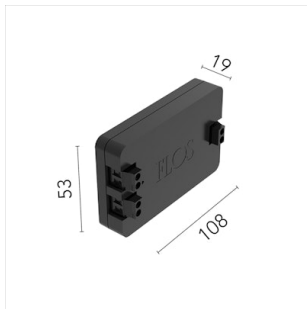
Photometric

Lighting type	Direct
Light distribution	Symmetric
CCT (K)	3000
CRI>	90
McAdam steps (SDCM)	3
Rf fidelity index	91
Rg gamut index	92
LED Life / Failure Ratio	L70B50 > 63.000h (Tc=85°C)
Beam angle C0-180 (°)	310
Beam angle C90-270 (°)	310
Extreme cut off	No
UGR _L	<19

Electrical

Insulation class	III
Forward voltage (V)	48
Power supply	Remote excluded
Dimmable	Yes
Power supply type	Dimmable Casambi
Dimming interface	Remote Dimmable (Dimmer Not Included)

Accessories & Power Supply



OPTIONAL
Control interface

Electrical

08.0824.14

Dimming Interface 1-10V to
CASAMBI