

FLOS

05.2995.C5 White

My Circuit Sphere

Designed by Michael Anastassiades, 2023

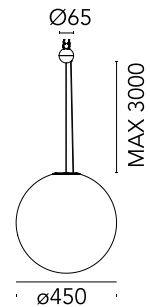


40W - 2268lm - 2700K - CRI> 90 - Beam° 310

Suspended luminaire for installation in the My Circuit system. Diffused omnidirectional emission. Adjustable suspension height. Casambi version for wireless control.

Are you a professional and your project needs consulting and support?

[BOOK AN APPOINTMENT](#)



Main specifications

| | |
|------------------------|---------------------|
| Mounting | Track |
| Environments | Indoor dry location |
| Light source type | LED |
| Light sources included | Yes |
| LED type | Top LED |
| Number of lamps | 1 |
| Power (W) | 40 |
| Source flux (lm) | 3600 |
| Lumen Output (lm) | 2268 |
| Efficacy (lm/W) | 57 |

Physical

| | |
|------------------|----------|
| Colour | White |
| Orientation | Fixed |
| Length (mm) | 450 |
| Cord colour | White |
| Cord length (mm) | Max 3000 |
| Net weight (kg) | 0.2 |
| IP internal | 20 |

Download

Mounting instructions [↓ PDF](#)

Photometric Files

LDT / IES [↓ ZIP](#)

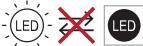
Technical Drawings

2D [↓ ZIP](#)

3D [↓ ZIP](#)

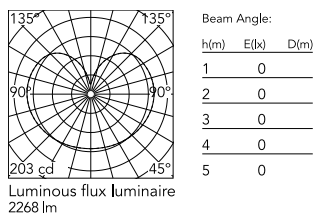


Ecodesign and Energy Labelling

 Non-replaceable light source

 Replaceable control gear by a professional

Schematic light drawing



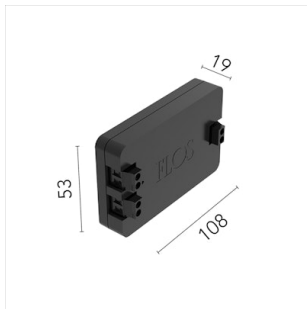
Photometric

| | |
|--------------------------|----------------------------|
| Lighting type | Direct |
| Light distribution | Symmetric |
| CCT (K) | 2700 |
| CRI> | 90 |
| McAdam steps (SDCM) | 3 |
| Rf fidelity index | 91 |
| Rg gamut index | 92 |
| LED Life / Failure Ratio | L70B50 > 63.000h (Tc=85°C) |
| Beam angle C0-180 (°) | 310 |
| Beam angle C90-270 (°) | 310 |
| Extreme cut off | No |
| UGR _L | <19 |

Electrical

| | |
|---------------------|---------------------------------------|
| Insulation class | III |
| Forward voltage (V) | 48 |
| Power supply | Remote excluded |
| Dimmable | Yes |
| Power supply type | Dimmable Casambi |
| Dimming interface | Remote Dimmable (Dimmer Not Included) |

Accessories & Power Supply



OPTIONAL
Control interface

Electrical

08.0824.14

Dimming Interface 1-10V to
CASAMBI