

# FLOS

05.2994.C5 White

## My Circuit Dome

Designed by Michael Anastassiades, 2023



40W - 2268lm - 2700K - CRI> 90 - Beam° 110

Suspended luminaire for installation in the My Circuit system. Diffused downlight emission. Adjustable suspension height. Casambi version for wireless control.

Are you a professional and your project needs consulting and support?

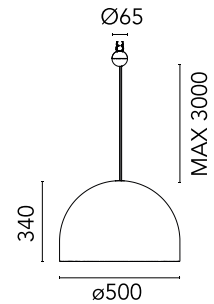
[BOOK AN APPOINTMENT](#)

### Main specifications

Mounting	Track
Environments	Indoor dry location
Light source type	LED
Light sources included	Yes
LED type	Top LED
Number of lamps	1
Power (W)	40
Source flux (lm)	3400
Lumen Output (lm)	2268
Efficacy (lm/W)	53

### Physical

Colour	White
Orientation	Fixed
Length (mm)	500
Cord colour	White
Cord length (mm)	Max 3000
Net weight (kg)	0.2
IP internal	20



### Download

Mounting instructions [↓ PDF](#)

### Photometric Files

LDT / IES [↓ ZIP](#)

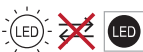
### Technical Drawings

2D [↓ ZIP](#)

3D [↓ ZIP](#)

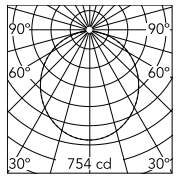


### Ecodesign and Energy Labelling

 Non-replaceable light source

 Replaceable control gear by a professional

## Schematic light drawing



Beam Angle: 110°

h(m)	E(lx)	D(m)
1	754	2.84
2	189	5.68
3	84	8.51
4	47	11.35
5	30	14.19

Luminous flux Luminaire  
2110 lm

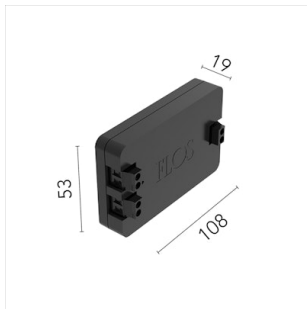
### Photometric

Lighting type	Direct
Light distribution	Symmetric
CCT (K)	2700
CRI>	90
McAdam steps (SDCM)	3
Rf fidelity index	91
Rg gamut index	92
LED Life / Failure Ratio	L70B50 > 65.000h (Tc=85°C)
Beam angle C0-180 (°)	110
Beam angle C90-270 (°)	110

### Electrical

Insulation class	III
Forward voltage (V)	48
Power supply	Remote excluded
Dimmable	Yes
Power supply type	Dimmable Casambi
Dimming interface	Remote Dimmable (Dimmer Not Included)

## Accessories & Power Supply



OPTIONAL  
Control interface

Electrical

08.0824.14

Dimming Interface 1-10V to  
CASAMBI