

# FLOS

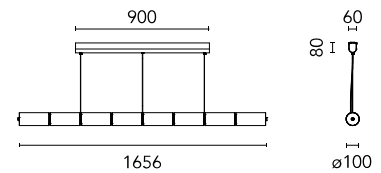
F3743000 Glass

## Luce Orizzontale S1

Designed by Ronan & Erwan Bouroullec, 2022

110W - 5345lm - 2700K - CRI> 95

Suspended lamp consisting of interconnected glass modules that reach a length of 1.66 mt. (S1) 2.07 mt. (S2) 2.49 mt. (S3) with 2.70 m suspended power cable. The cylindrical transparent glass modules are created through an artisanal process by pouring the glass into a rotating mold to obtain an exclusive finish that makes each single piece unique. Internal structure in polished extruded aluminum equipped with two linear LED modules for direct and indirect lighting downwards. The modules can be easily removed and replaced in case of maintenance. The power supply unit and the Dali Dimmer are located within the ceiling rose while a touch control button, positioned on one end of the product, allows the luminaire to be controlled in three different modes. Control options available: TOUCH\_ Features direct control via the touch button on the lamp. This option allows to dim and adjust the light intensity of both the up and down emission (individually or combined) from 10% to 100%. PUSH&TOUCH\_ Features remote on/off control via Push button as well as dim and adjustability of the light intensity of both the up and down emission (individually or combined) from 10% to 100% through the touch button integrated on the lamp. DALI&TOUCH\_ Features remote on/off control via DALI DT6 as well as dim and adjustability of the light intensity of both the up and down emission (individually or combined) from 10% to 100% through the touch button integrated on the lamp.



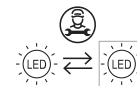
### Download

Mounting instructions

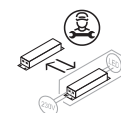


### Ecodesign and Energy Labelling

This product contains a light source of energy efficiency class F



Replaceable (LED only) light source by a professional



Replaceable control gear by a professional

Are you a professional and your project needs consulting and support?

BOOK AN APPOINTMENT

## Main specifications

|                        |                     |
|------------------------|---------------------|
| Mounting               | Suspension          |
| Environments           | Indoor dry location |
| Light source type      | LED                 |
| Light sources included | Yes                 |
| LED type               | LED Module          |
| Power (W)              | 110                 |
| System flux (lm)       | 5345                |

## Physical

|                             |       |
|-----------------------------|-------|
| Colour                      | Glass |
| Length (mm)                 | 1656  |
| Cord colour                 | Clear |
| Cord length (mm)            | 2700  |
| Canopy colour               | White |
| Canopy length/diameter (mm) | 900   |
| Canopy width (mm)           | 61    |
| Canopy height (mm)          | 78    |
| Net weight (kg)             | 27.95 |
| Package volume (m3)         | 0.18  |
| IP internal                 | 20    |



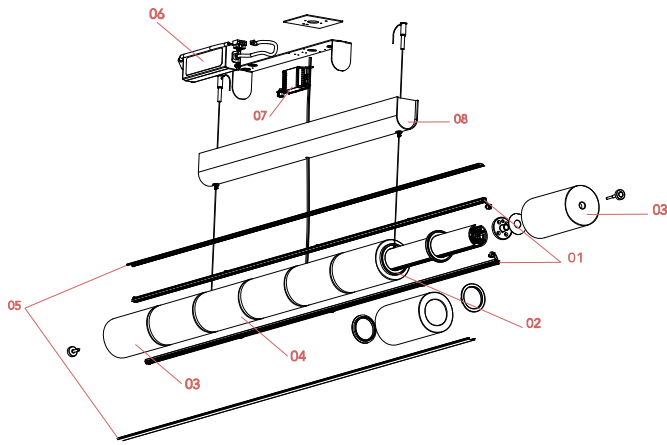
## Photometric

|                    |                  |
|--------------------|------------------|
| Lighting type      | Indirect, Direct |
| Light distribution | Symmetric        |
| CCT (K)            | 2700             |
| CRI>               | 95               |
| Extreme cut off    | No               |

## Electrical

|                    |                   |
|--------------------|-------------------|
| Insulation class   | I                 |
| Frequency (Hz)     | 50/60             |
| Main voltage (Vac) | 100-240           |
| LED current (mA)   | 500               |
| Power supply       | Integrated        |
| Dimmable           | Yes               |
| Power supply type  | Dimmer on board   |
| Dimming interface  | Dimmer Integrated |

## Spare Parts



|     |                                                |           |
|-----|------------------------------------------------|-----------|
| 00. | Assembly Accesories for Luce Orizzontale S1    | RF3746800 |
| 01. | Led Board for Luce Orizzontale S1              | RF3746700 |
| 02. | Suspensión Ring Wiring 4m for Luce Orizzontale | RF3746200 |
| 03. | Closed Glass Difusser for Luce Orizzontale     | RF3746300 |
| 04. | Open Glass Difusser for Luce Orizzontale       | RF3746400 |
| 05. | Linear Difusser Luce Orizzontale S1            | RF3746500 |
| 06. | Assembly Driver fot Luce Orizzontale           | RF32976   |
| 07. | Ceiling rose dimmer                            | RF36893   |
| 08. | Rose for Luce Orizzontale S1-S2 White          | RF3746600 |



RF3746800  
Assembly Accessories for Luce Orizzontale S1



RF3746700  
Led Board for Luce Orizzontale S1



RF3746200  
Suspension Ring Wiring 4m for Luce Orizzontale



RF3746300  
Closed Glass Difusser for Luce Orizzontale



RF3746400  
Open Glass Difusser for Luce Orizzontale



RF3746500  
Linear Difusser Luce Orizzontale S1



RF32976  
Assembly Driver fot Luce Orizzontale



RF36893  
Ceiling rose dimmer



RF3746600

Rose for Luce Orizzontale S1-S2

White