

FLOS

03.8366.40A White/White

Light Shadow Fixed No Trim 8 Spots Optic Wide Flood

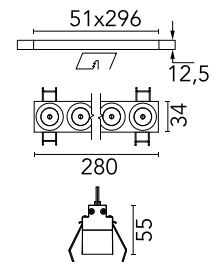
Designed by FLOS Architectural, 2022



Recessed integrated luminaire with 8 LED lighting spots. Remote power supply included (220-240V).

Are you a professional and your project needs consulting and support?

[BOOK AN APPOINTMENT](#)



Main specifications

Mounting	Ceiling recessed
Environments	Indoor dry location
Light source type	LED
Light sources included	Yes
LED type	Power LED
Lamp category	LED
Number of lamps	1
Power (W)	21.6
Source flux (lm)	2160
Lumen Output (lm)	1763

Physical

Colour	White/White
Trim	No
Orientation	Fixed
Recessed depth (mm)	75
Length (mm)	280
Net weight (kg)	0.50
IP internal	20
IP external	55

Download

[Mounting instructions](#) PDF

[Mounting instructions](#) PDF

Photometric Files

[LDT / IES](#) ZIP

Technical Drawings

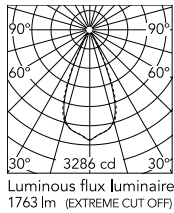
[2D](#) ZIP

[3D](#) ZIP

[Bim](#) ZIP



Schematic light drawing



Beam Angle: 45°

h(m)	E(lx)	D(m)
1	3286	0.83
2	822	1.67
3	365	2.50
4	205	3.34
5	131	4.17

Luminous flux luminaire
1763 lm (EXTREME CUT OFF)

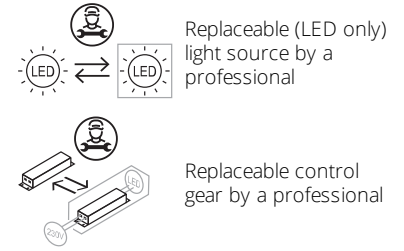
Photometric

Lighting type	Direct
Light distribution	Symmetric
CCT (K)	2700
CRI>	90
McAdam steps (SDCM)	3
LED Life / Failure Ratio	L80B20 >50.000h (Tc=85°C)
Beam angle C0-180 (°)	45
Beam angle C90-270 (°)	45
UGR _L	<16

Electrical

Insulation class	II
Frequency (Hz)	50/60
Main voltage (Vac)	220-240
Alternating current voltage (Vac)	230
Power supply	Remote included
Dimmable	No
Power supply type	Non Dimmable

Ecodesign and Energy Labelling



Notes

It requires a pre-installation frame, to be ordered separately.

Accessories & Power Supply

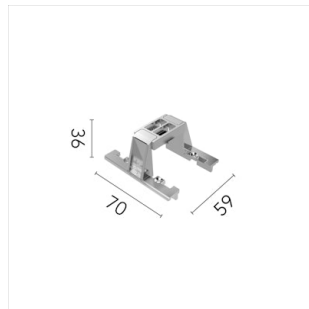


REQUIRED
Frame

Installation

08.0512.00

Pre-installation No Trim Frame 8L
Fix



OPTIONAL
Accessory

Installation

08.0052.90

Accessory for mounting of No
Trim Fix continuous line.