

# FLOS

F3694039 Matte Green

## Last Order Fluted

Designed by Michael Anastassiades, 2020

3W - 87lm - 2700K - CRI> 90



Flos Last Order table lamp was designed by M. Anastassiades. It is a rechargeable table lamp that diffuses light through a transparent solid crystal base whose shape makes reference to architectural typology of the ancient column. The top cover comes in a combination of different metal and colour finishes: stainless steel, brass, satin copper or green opal coating.

Are you a professional and your project needs consulting and support?

BOOK AN APPOINTMENT

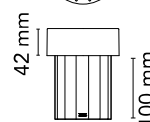
### Main specifications

Mounting	Table
Environments	Indoor Outdoor wet location
Light Source Type	LED
LED type	LED Module
Power (W)	3
System flux (lm)	87

### Physical

Colour	Matte Green
Length (mm)	112
Net weight (kg)	2.04
Package volume (m3)	0.01
IP internal	55

ø 110 mm



ø 87 mm

### Download

Mounting instructions [↓ PDF](#)

Spare Parts [↓ PDF](#)

### Photometric Files

LDT / IES [↓ LDT](#)

### Technical Drawings

3D [↓ ZIP](#)



### Schematic light drawing



## Photometric

Lighting type	Direct
Light distribution	Roto symmetric
CCT (K)	2700
CRI>	90
Extreme cut off	No

## Electrical

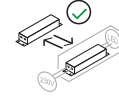
Insulation class	III
Frequency (Hz)	50/60
Main voltage (Vac)	100-240/5
Power Supply	Remote included
Dimmable	Yes
Power Supply Type	Electronic 5V
Dimming interface	Dimmer Integrated
Plug type	Type G, Type A, Type C
Batteries inside	Yes
Battery type	LI-PO
Charging socket/connector	USB-C

## Ecodesign and Energy Labelling

This product contains a light source of energy efficiency class F

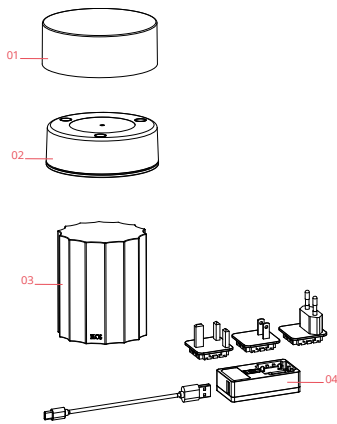


Replaceable (LED only) light source by a professional



Replaceable control gear by an end-user

## Spare Parts



- |     |   |           |
|-----|---|-----------|
| 03. | Crystal fluted base                         | RF29125   |
| 04. | Power charger with electrical cable & plugs | RF1035109 |

**DOWNLOAD**



RF29125

Crystal fluted base



RF1035109

Power charger with electrical  
cable & plugs