

# FLOS

F004C30AU33 Anthracite

## Landlord Soft PWM Dimmable Anthracite

Designed by Piero Lissoni, 2018



20° adjustable head for installation on ground poles. Poles to be ordered as separated accessories. 24V remote power supply to be ordered separately. Each head comes with a 2000mm length outgoing cable and a wiring kit.

Are you a professional and your project needs consulting and support?

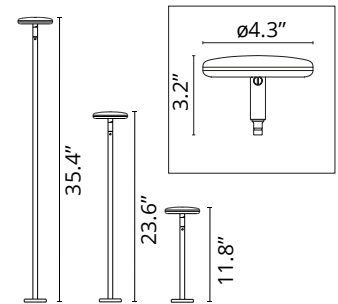
[BOOK AN APPOINTMENT](#)

### Main specifications

EAN	8054793197180
Mounting	Ground
Environments	Outdoor wet location
Light Source Type	LED
Light sources included	Yes
LED type	Power LED
Number of lamps	1
Power (W)	5
System flux (lm)	252

### Physical

Color	Anthracite
Orientation	Adjustable
Rotation (°)	359
Transversal tilting (°)	20
Net weight (lb)	1.88
Package height (in)	4.13
Package width (in)	6.42
Package length (in)	6.42
Package volume (in)	170.26
IP internal	65



### Download

[Family spec sheet](#) ZIP

[Mounting instructions](#) ZIP

### Photometric Files

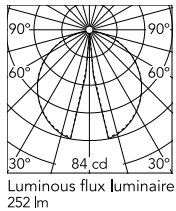
[LDT / IES](#) ZIP

### Ecodesign and Energy Labelling

This product contains a light source of energy efficiency class E



## Schematic light drawing



Beam Angle: 51°

h(m)	E(lx)	D(m)
1	84	1.41
2	21	2.82
3	9	4.23
4	5	5.64
5	3	7.05

### Photometric

Light distribution	Symmetric
CCT (K)	3000
CRI>	80
Beam angle C0-180 (°)	51
Beam angle C90-270 (°)	51
Extreme cut off	No

### Electrical

Insulation class	III
Main voltage (Vac)	24
Driver	Remote excluded
Dimmable	Yes
Dimming type	Non Dimmable, Dimmable DALI PWM, Dimmable 1-10 PWM
Dimming interface	Remote Dimmable (Dimmer Not Included)
Emergency type	No

### Notes

During the installation and the maintenance of the fixtures it is important to be careful and avoid damages on the paint coating.

Damages on the coating exposed to outdoor conditions or water, could cause corrosion.

Chemical substances affect the anticorrosion covering protection.

For LED fixtures, there is evidence that most of the damages are connected to electrical effects related to the insulations, which cause destructive electrical discharges

These effects are frequently caused by:

- over voltage coming from the mains' network where fixture is connected.
- electrostatic discharge (ESD) coming from the environment.

The use of a protective device against the overvoltage on the electrical installation is warmly suggest this helps to reduce the intensity of some of these phenomenon and prevent irreversible damages. The selection of the type of device to be used must be adjust on the electrical plant.

## Accessories & Power Supply



REQUIRED  
Accessory

F004Z010033

Pole with base H 300 mm  
Anthracite



OPTIONAL  
Accessory

F004Z070000

Tree strap



OPTIONAL  
Accessory

F004Z060000

Earth stick