

FLOS

F3311033 Anthracite

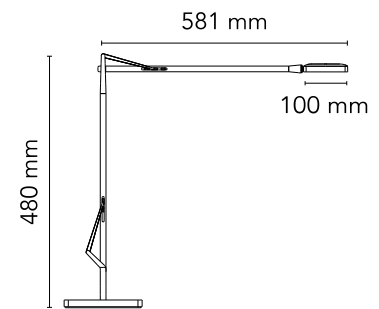
Kelvin Led Base

Designed by Antonio Citterio/assistant Toan Nguyen, 2009

8W - 285lm - 3000K



Adjustable table lamp providing direct lighting, with double pantograph arm and adjustable head. Fused aluminum alloy body. Die-cast aluminum outer head, with injection-molded methacrylate diffuser. BASE external cover in ABS. Extruded aluminum alloy square tube (12x12mm) structure, machined mechanically, so that it houses a stainless steel load-compensation spring and injection-molded acetal resin sliding blocks. 3 mm diameter wire outer tie rods. Available in white, anthracite, black or chrome finishes. The ON/OFF switch is electronic with optical mechanism located in the head. Two possibilities to choose: - PERSONAL MODE (orange switch) Dimm the light intensity you like. - GREEN MODE (green switch) Now Kelvin LED becomes Green, saving even more energy thanks to his automatic compensation of the ambience light.



Are you a professional and your project needs consulting and support?

[BOOK AN APPOINTMENT](#)

Main specifications

Mounting	Table
Environments	Indoor dry location
Light Source Type	LED
LED type	LED Module
Power (W)	8
System flux (lm)	285

Physical

Colour	Anthracite
Cord length (mm)	1800
Net weight (kg)	3.9
Package volume (m3)	0.02
IP internal	20

Download

- [Mounting instructions](#) PDF
- [Mounting instructions](#) PDF
- [Mounting instructions](#) PDF
- [Spare Parts](#) PDF

Photometric Files

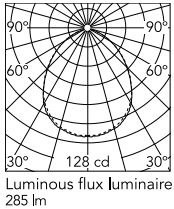
- [LDT / IES](#) LDT

Technical Drawings

- [2D](#) ZIP
- [3D](#) ZIP



Schematic light drawing



Photometric

Lighting type	Direct
Light distribution	Symmetric
CCT (K)	3000
Extreme cut off	No

Electrical

Insulation class	III
Frequency (Hz)	50/60
Main voltage (Vac)	100-240/24
LED voltage Vf (Vdc)	null
Power Supply	Remote included
Dimmable	Yes
Power Supply Type	Electronic 24V
Dimming interface	Dimmer Integrated
Plug type	Type G, Type A, Type C
Batteries inside	No

Ecodesign and Energy Labelling

This product contains a light source of energy efficiency class F

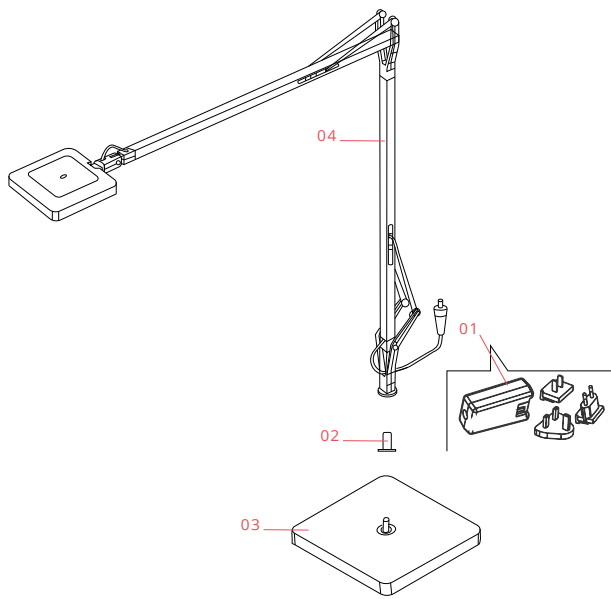


Replaceable (LED only) light source by a professional



Replaceable control gear by an end-user

Spare Parts



- | | | |
|-----|--------------------------------------|-----------|
| 01. | Black plug assembly kit & 24V driver | RF3320100 |
| 02. | Black insert for lamp base | RF18764 |
| 03. | Kelvin led gm anthracite base | F3322033A |
| 04. | Kelvin led gm anthracite body | F3312033 |
| 10. | Assembly Coaxial Connector | RF3390130 |

DOWNLOAD



RF3320100
Black plug assembly kit & 24V driver



RF18764
Black insert for lamp base



F3322033A
Kelvin led gm anthracite base



F3312033
Kelvin led gm anthracite body



RF3390130
Assembly Coaxial Connector