

FLOS

■ F3452030 Black

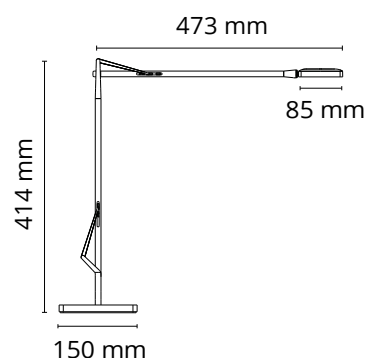
Kelvin Edge Base

Designed by Antonio Citterio, 2015

7W - 306lm - 2700-3200K - CRI> 90



Adjustable table lamp providing direct light. Aluminium painted or chromed body, with die cast head, joints and forks, and extruded arms. Diffuser in photoengraved polycarbonate and aluminate on the perimeter. Edge Lighting technology light source. Optical switch sensor placed on the head that provide 3-step dimming function and color temperature adjustment at 2700K or 3200K. Power cord length 150 cm. Plug-in power supply with interchangeable plugs.



Are you a professional and your project needs consulting and support?

[BOOK AN APPOINTMENT](#)

Main specifications

Mounting	Table
Environments	Indoor dry location
Light Source Type	LED
LED type	LED Module
Power (W)	7
System flux (lm)	306

Physical

Colour	Black
Length (mm)	473
Net weight (kg)	3.9
Package volume (m3)	0.02
IP internal	20

Download

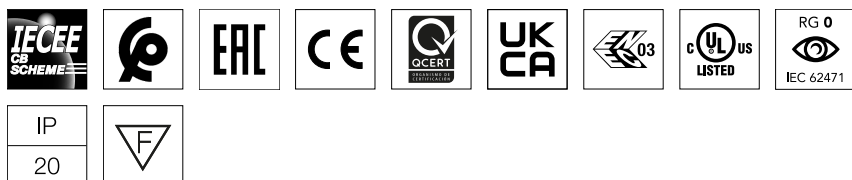
- [Mounting instructions](#) PDF
- [Mounting instructions](#) PDF
- [Mounting instructions](#) PDF
- [Spare Parts](#) PDF

Photometric Files

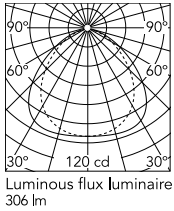
- [LDT / IES](#) LDT

Technical Drawings

- [2D](#) ZIP



Schematic light drawing



Photometric

Lighting type	Direct
Light distribution	Symmetric
CCT (K)	2700-3200
CRI>	90
Extreme cut off	No

Electrical

Insulation class	III
Frequency (Hz)	50/60
Main voltage (Vac)	100-240/24
LED voltage Vf (Vdc)	null
Power Supply	Remote included
Dimmable	Yes
Power Supply Type	Electronic 24V
Dimming interface	Dimmer Integrated
Plug type	Type G, Type A, Type C
Batteries inside	No

Ecodesign and Energy Labelling

This product contains a light source of energy efficiency class E

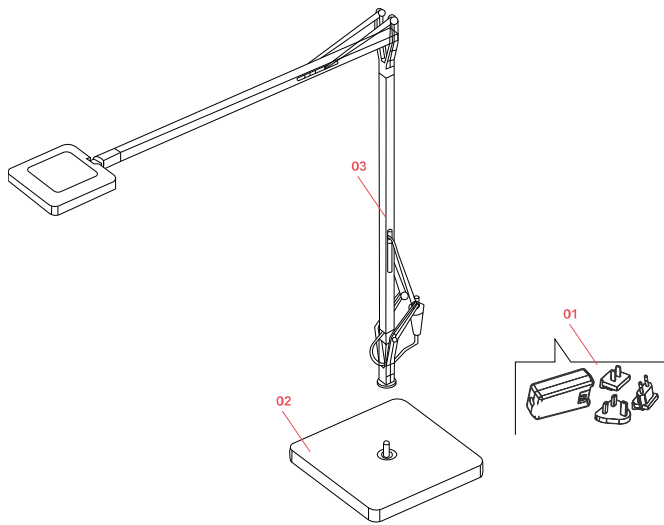


Replaceable (LED only)
light source by a
professional



Replaceable control
gear by an end-user

Spare Parts



- | | | |
|-----|--------------------------------------|-----------|
| 00. | Assembly Coaxial Connector | RF3390130 |
| 01. | Black plug assembly kit & 24V driver | RF3320100 |
| 02. | Kelvin edge black base | F3451030 |
| 03. | Kelvin edge black body | F3450030 |

DOWNLOAD



RF3390130
Assembly Coaxial Connector



RF3320100
Black plug assembly kit & 24V driver



F3451030
Kelvin edge black base



F3450030
Kelvin edge black body