

FLOS

F3171059 Brass

IC Lights Table 1 Low

Designed by Michael Anastassiades, 2014



Halogen - 60W

Table lamp providing diffused light. Frame in brass, brushed and transparent varnished or chrome steel. Blown glass opal diffuser. Dimmer on the power chord.

Are you a professional and your project needs consulting and support?

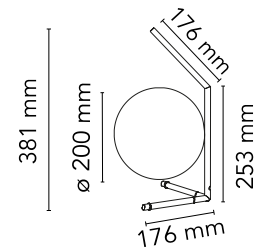
BOOK AN APPOINTMENT

Main specifications

EAN	8059607002803
Mounting	Table
Environments	Indoor dry location
Light Source Type	Bulb
Lamp category	Halogen
Lamp holders	E14
Iicos	HSGS
Number of heads	1
Power (W)	60

Physical

Colour	Brass
Length (mm)	200
Net weight (kg)	1.2
Package volume (m3)	0.04
IP internal	20



Download

Mounting instructions [↓ PDF](#)

Spare Parts [↓ PDF](#)

Photometric Files

LDT / IES [↓ LDT](#)

Technical Drawings

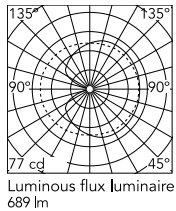
2D [↓ ZIP](#)

3D [↓ ZIP](#)

[Bim](#) [↓ ZIP](#)



Schematic light drawing



Photometric

Lighting type	Total
Light distribution	Asymmetric

Electrical

Insulation class	II
Frequency (Hz)	50/60
Main voltage (Vac)	220-240
LED voltage Vf (Vdc)	null
Dimmable	Yes
Dimming interface	Dimmer Integrated
Plug type	Type C
Batteries inside	No
Charging min time	No

Bulbs



NOT INCLUDED

RF32290

LED Lamp E14 8W 2700K T28



NOT INCLUDED

RF32291

LED Lamp E14 8W 3000K T28



NOT INCLUDED

RF32767

LED Lamp 9W E14 220-240V
2700K T28

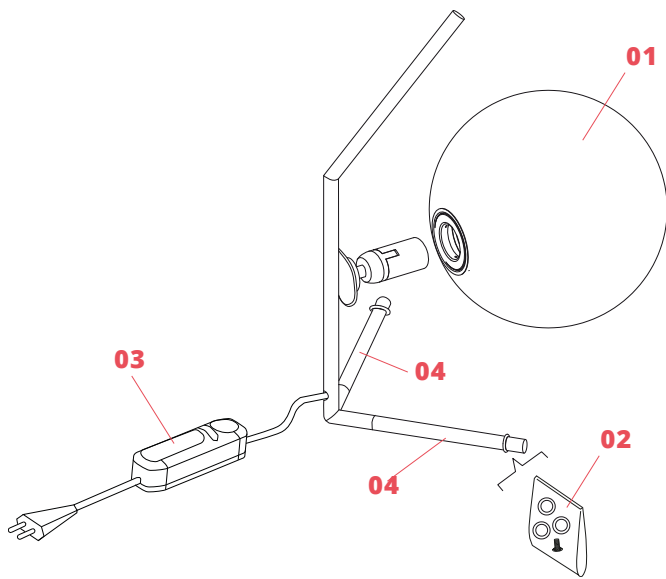


NOT INCLUDED

RF32768

LED Lamp 9W E14 220-240V
3000K T28

Spare Parts



- 01. IC Lights 1 diffuser for brass version F3136059
- 02. Gasket and foot kit for ic high-low RF3160400
- 04. Lower brass leg RF23317

DOWNLOAD



F3136059

IC Lights 1 diffuser for brass
version



RF3160400

Gasket and foot kit for ic high-low



RF23317

Lower brass leg