

FLOS

FU317159 Brass

IC Lights T1 Low

Designed by Michael Anastassiades, 2014

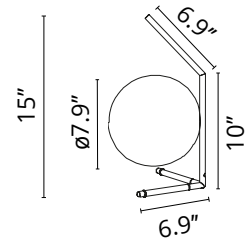


Halogen - 75W

Like the other pieces in his IC Light Series, the IC Lights table balances designer Michael Anastassiades' love of industrial simplicity with intricate symbolism. It provides diffused light through a mouth blown opaline sphere, which is held up by a brass-plated steel, black or chrome frame. There is a dimmer on the power cord. IC Lights table lamp comes in two models in brass or gold finish. Discover the complete IC Lights collection here. Inspiration behind the design: Poise is powerful: That's the message Michael Anastassiades offers with his IC Light Series. From the skillful balance of the sphere and baton that invokes thoughts of a dexterous juggler's act to the lamp's name-IC, a reference to the identity code used to evaluate immigrants entering the UK-the designer makes a commanding statement.

Are you a professional and your project needs consulting and support?

[BOOK AN APPOINTMENT](#)



Main specifications

EAN	8059607011188
Mounting	Table
Environments	Indoor dry location
Light Source Type	Bulb
Light sources included	No
Lamp category	Halogen
Lamp type	T4
Lamp holders	G9
Number of lamps	1
Power (W)	75

Physical

Color	Brass
Length (in)	7.87
Cord color	Black
Net weight (lb)	2.65
Package volume (in)	2307.26
IP internal	20

Download

[Mounting instructions](#)





Photometric

Lighting type	Total
Light distribution	Asymmetric
Extreme cut off	No

Electrical

Insulation class	II
Frequency (Hz)	60
Main voltage (Vac)	120
Dimmable	Yes
Dimming interface	Dimmer Integrated
Plug type	Type A
Batteries inside	No

Bulbs

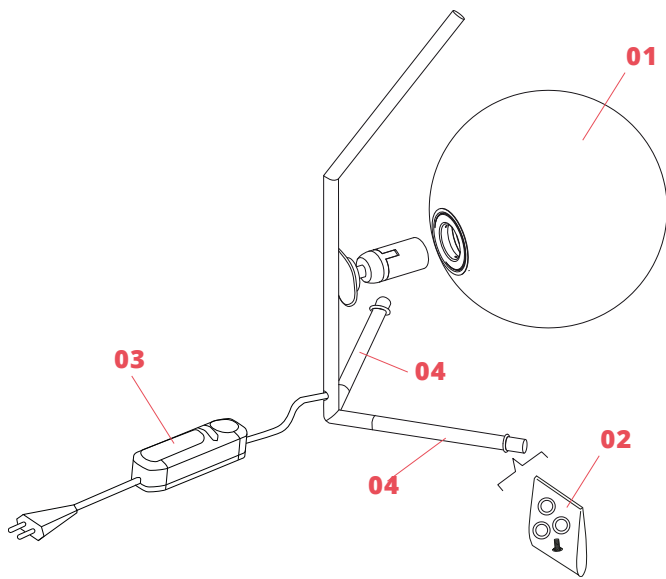


NOT INCLUDED

RF34658

60W G9 Frosted Halogen Lamp

Spare Parts



- | | | |
|-----|--|-----------|
| 01. | IC Lights 1 diffuser for brass version | F3136059 |
| 02. | Gasket and foot kit for ic high-low | RF3160400 |
| 03. | Black Dimmer Switch | RF28206 |
| 04. | Lower brass leg | RF23317 |



F3136059
IC Lights 1 diffuser for brass
version



RF3160400
Gasket and foot kit for ic high-low



RF28206
Black Dimmer Switch



RF23317
Lower brass leg