

FLOS

F3171059 Brass

IC Lights T1 Low

Designed by Michael Anastassiades, 2014



Halogen - 60W

Table lamp providing diffused light. Frame in brass, black or chrome steel. Blown glass opal diffuser. Dimmer on the power chord.

Are you a professional and your project needs consulting and support?

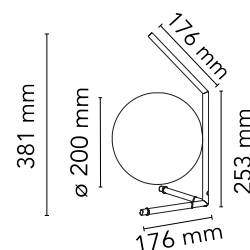
[BOOK AN APPOINTMENT](#)

Main specifications

EAN	8059607002803
Mounting	Table
Environments	Indoor dry location
Light source type	Bulb
Light sources included	No
Lamp category	Halogen
Lamp holders	E14
Icos	HSGS
Number of lamps	1
Power (W)	60

Physical

Colour	Brass
Length (mm)	200
Cord colour	Black
Net weight (kg)	1.2
Package volume (m3)	0.04
IP internal	20



Download

[Mounting instructions](#)  PDF

Photometric Files

[LDT / IES](#)  LDT

Technical Drawings

[2D](#)  ZIP

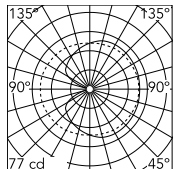
[3D](#)  ZIP

[Bim](#)  ZIP



IK
07

Schematic light drawing



Photometric

Lighting type	Total
Light distribution	Asymmetric
Extreme cut off	No

Electrical

Insulation class	II
Frequency (Hz)	50/60
Main voltage (Vac)	220-240
Dimmable	Yes
Dimming interface	Dimmer Integrated
Plug type	Type C
Batteries inside	No

Bulbs



NOT INCLUDED

RF32290

LED Lamp E14 8W 2700K T28



NOT INCLUDED

RF32291

LED Lamp E14 8W 3000K T28



NOT INCLUDED

RF32767

LED Lamp 9W E14 220-240V
2700K T28

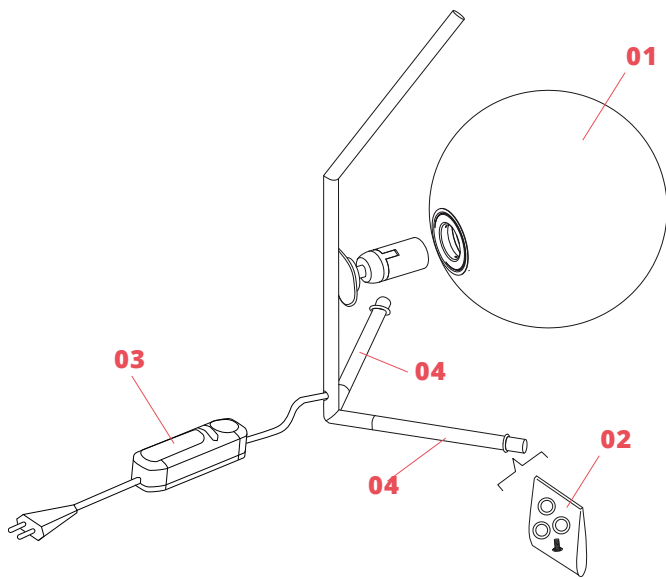


NOT INCLUDED

RF32768

LED Lamp 9W E14 220-240V
3000K T28

Spare Parts



- | | | |
|-----|--|-----------|
| 01. | IC Lights 1 diffuser for brass version | F3136059 |
| 02. | Gasket and foot kit for ic high-low | RF3160400 |
| 03. | Black Dimmer Switch | RF28206 |
| 04. | Lower brass leg | RF23317 |



F3136059
IC Lights 1 diffuser for brass
version



RF3160400
Gasket and foot kit for ic high-low



RF28206
Black Dimmer Switch



RF23317
Lower brass leg