

FLOS

F3178035 Red Burgundy

IC Lights Ceiling/Wall 1

Designed by Michael Anastassiades, 2014



Halogen - 60W

Wall-ceiling lamp providing diffused light. Frame in brass, brushed and transparent varnished or chrome steel. Blown glass opal diffuser.

Are you a professional and your project needs consulting and support?

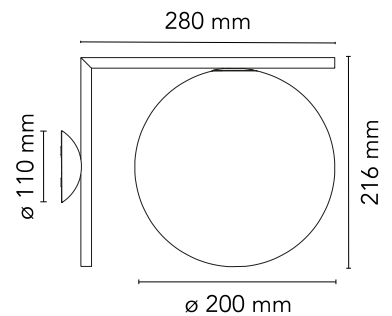
[BOOK AN APPOINTMENT](#)

Main specifications

EAN	8059607003503
Mounting	Ceiling and wall surface
Environment	Indoor dry location
Light source type	Bulb
Lamp category	Halogen
Lamp holder	E14
Ilcos	HSGS
Number of heads	1
Power (W)	60

Physical

Colour	Red Burgundy
Net weight (kg)	1.85
Package volume (m3)	0.04
IP	20



Download

[Mounting instructions](#) PDF

[Spare Parts](#) PDF

Photometric Files

[LDT / IES](#) LDT

Technical Drawings

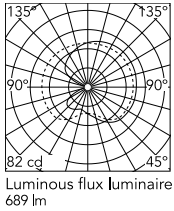
[2D](#) ZIP

[3D](#) ZIP



IP
20

Schematic light drawing



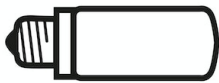
Photometric

Lighting type	Total
Light distribution	Asymmetric

Electrical

Insulation class	I
Frequency (Hz)	50/60
Main voltage (Vac)	220-250
Batteries inside	No
Charging min time	No

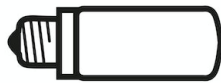
Bulbs



NOT INCLUDED

RF32290

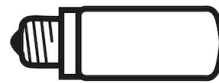
LED Lamp E14 8W 2700K T28



NOT INCLUDED

RF32291

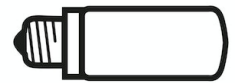
LED Lamp E14 8W 3000K T28



NOT INCLUDED

RF32767

LED Lamp 9W E14 220-240V
2700K T28



NOT INCLUDED

RF32768

LED Lamp 9W E14 220-240V
3000K T28

Spare Parts



F3136035

Glass diffuser 1 assembly for red burgundy version



RF3160100

Kit with screws and allen key