

FLOS

F3335009 White

Glo-Ball Ceiling/Wall Zero

Designed by Jasper Morrison, 2009

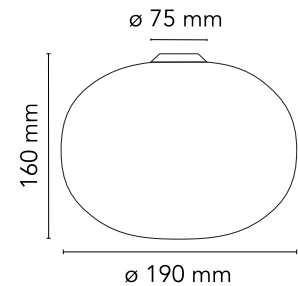


Halogen - 60W

Wall or ceiling lamp providing diffused light. Diffuser consisting of an externally acidetched, hand blown, flashed opaline glass and a die-cast aluminum threaded ring nut with alodine plating finish. 30% fiberglass reinforced injection molded polyamide base. Gray painted, die-cast aluminum diffuser support.

Are you a professional and your project needs consulting and support?

[BOOK AN APPOINTMENT](#)



Main specifications

EAN	8059607019344
Mounting	Ceiling, Wall
Environments	Indoor dry location
Light source type	Bulb
Light sources included	No
Lamp category	Halogen
Lamp holders	E14
Icos	HSGS
Number of lamps	1
Power (W)	60

Physical

Colour	White
Length (mm)	190
Net weight (kg)	1
Package height (mm)	225
Package width (mm)	270
Package length (mm)	260
Package volume (m3)	0.02
IP internal	20

Download

Mounting instructions [↓ PDF](#)

Photometric Files

LDT / IES [↓ LDT](#)

Technical Drawings

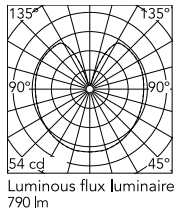
2D [↓ ZIP](#)

3D [↓ ZIP](#)

[Bim](#) [↓ ZIP](#)



Schematic light drawing



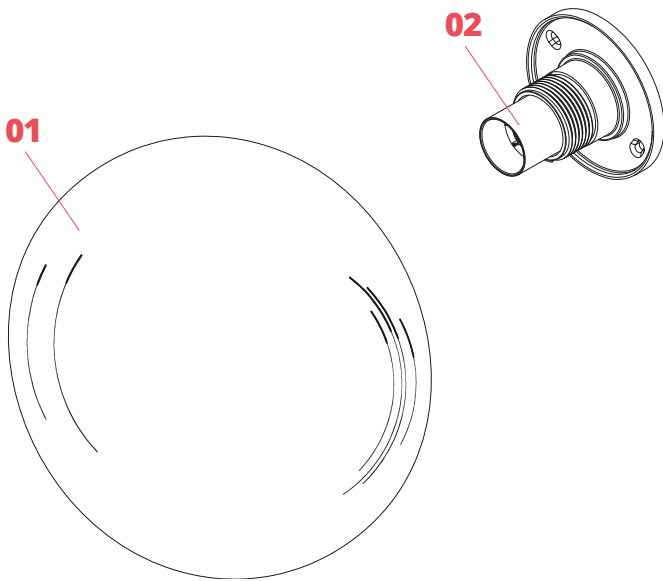
Photometric

Light distribution	Roto symmetric
Extreme cut off	No

Electrical

Insulation class	II
Frequency (Hz)	50/60
Main voltage (Vac)	220-250
Dimmable	Yes
Dimming interface	Remote Dimmable (Dimmer Not Included)
Batteries inside	No

Spare Parts



- | | | |
|-----|---|-----------|
| 01. | Glo-Ball Ceiling/Wall/Basic Zero
diffuser assembly | RF3335100 |
| 02. | Lamp holder fitting e14 | RF18844 |



RF3335100
Glo-Ball Ceiling/Wall/Basic Zero
diffuser assembly



RF18844
Lamp holder fitting e14