

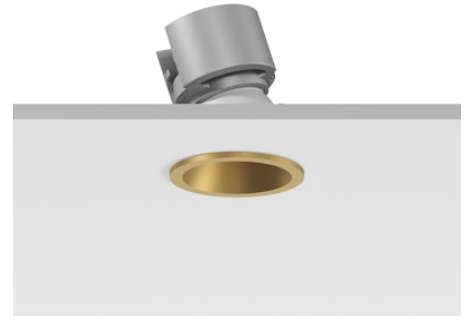
FLOS

05.7633.GLA Gold

Easy Kap Ø30 Adjustable Set of 4 spots

Designed by FLOS Architectural, 2023

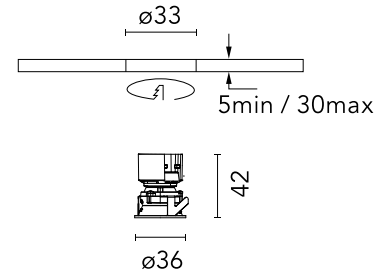
LED - Power LED - 4 x 3W - 4 x 172lm - 2700K - CRI> 90 - Beam° 50



Recessed luminaire with LED light source. Power supply not included. Installation frame not required.

Are you a professional and your project needs consulting and support?

[BOOK AN APPOINTMENT](#)



Main specifications

Mounting	Ceiling recessed
Light source type	LED
Light sources included	Yes
LED type	Power LED
Lamp category	LED
Number of lamps	4
Power (W)	3
System power (W)	4.7
Source flux (lm)	222
Lumen Output (lm)	172

Physical

Colour	Gold
Trim	Yes
Orientation	Adjustable
Longitudinal tilting (°)	17
Transversal tilting (°)	17
Recessed depth (mm)	54
Length (mm)	37
Net weight (kg)	0.14
Package height (mm)	60
Package width (mm)	210
Package length (mm)	130
IP internal	20
IP external	54

Download

[Mounting instructions](#)

[PDF](#)

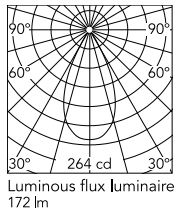
Ecodesign and Energy Labelling

 Replaceable (LED only) light source by a professional

 Replaceable control gear by a professional



Schematic light drawing



Beam Angle: 50°

h(m)	E(lx)	D(m)
1	264	0.93
2	66	1.86
3	29	2.79
4	16	3.72
5	11	4.64

Luminous flux Luminaire
172 lm

Photometric

Lighting type	Direct
Light distribution	Symmetric
CCT (K)	2700
CRI>	90
McAdam steps (SDCM)	3
Rf fidelity index	89
Rg gamut index	101
LED Life / Failure Ratio	L90B50>51.000h_Tc85°C
Beam angle C0-180 (°)	50
Beam angle C90-270 (°)	50
Extreme cut off	No
UGR _L	<16

Electrical

Insulation class	III
Forward voltage (V)	3.3
LED current (mA)	900
Power supply	Remote excluded
Power supply type	Non Dimmable, Dimmable DALI 2, Dimmable 1-10V, Mains Cut Dimming
Dimming interface	Remote Dimmable (Dimmer Not Included)

h=55/65** min

⚠ A: Driver pass-through

Recommended power supply

		Serial Con.	⚠
Non Dimmable 220-240V 700mA	60.9988	1	A
Non Dimmable 220-240V 900mA	60.9958	1 - 11	B
Dali 2 220-240V 900mA	60.9602	1 - 5	B
Dali 2 220-240V 900mA	60.9957	3 - 11	B
1-10V 220-240V 900mA	60.9414	1 - 5	B
1-10V 110-127 / 220-240 900mA	60.9208	2 - 5	B
Casambi 220-240V 900mA	06.1974.00	1 - 5	B
Mains Dimming 220-240V 900mA	60.9467	2 - 7	B
Mains Dimming 220-240V 900mA	60.9692	4 - 9	B

h=55 min

⚠ B: Register for service operation is required

POWER SUPPLY

** Minimum embedding height 65mm only for 30mm ceiling thickness