

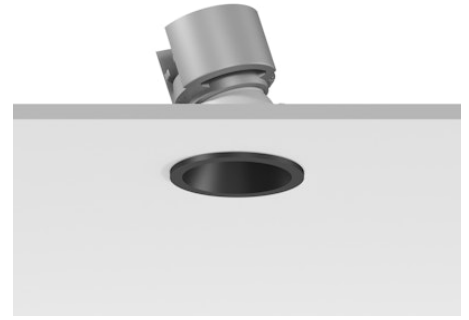
# FLOS

05.7631.74A Black

## Easy Kap Ø30 Adjustable Set of 4 spots

Designed by FLOS Architectural, 2023

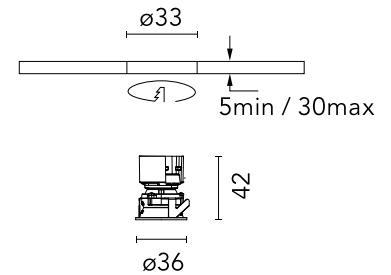
LED - Power LED - 4 x 3W - 4 x 197lm - 2700K - CRI> 90 - Beam° 26



Recessed luminaire with LED light source. Power supply not included. Installation frame not required.

Are you a professional and your project needs consulting and support?

[BOOK AN APPOINTMENT](#)



### Main specifications

|                        |                  |
|------------------------|------------------|
| Mounting               | Ceiling recessed |
| Light source type      | LED              |
| Light sources included | Yes              |
| LED type               | Power LED        |
| Lamp category          | LED              |
| Number of lamps        | 4                |
| Power (W)              | 3                |
| System power (W)       | 4.7              |
| Source flux (lm)       | 222              |
| Lumen Output (lm)      | 197              |

### Physical

|                          |            |
|--------------------------|------------|
| Colour                   | Black      |
| Trim                     | Yes        |
| Orientation              | Adjustable |
| Longitudinal tilting (°) | 17         |
| Transversal tilting (°)  | 17         |
| Recessed depth (mm)      | 54         |
| Length (mm)              | 37         |
| Net weight (kg)          | 0.14       |
| Package height (mm)      | 60         |
| Package width (mm)       | 210        |
| Package length (mm)      | 130        |
| IP internal              | 20         |
| IP external              | 54         |

### Download

[Mounting instructions](#)

[PDF](#)

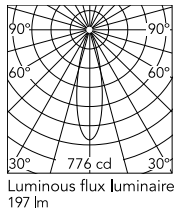
### Ecodesign and Energy Labelling

 Replaceable (LED only) light source by a professional

 Replaceable control gear by a professional



# Schematic light drawing



Beam Angle: 26°

| h(m) | E(lx) | D(m) |
|------|-------|------|
| 1    | 776   | 0.47 |
| 2    | 194   | 0.93 |
| 3    | 86    | 1.40 |
| 4    | 48    | 1.87 |
| 5    | 31    | 2.34 |

## Photometric

|                          |                       |
|--------------------------|-----------------------|
| Lighting type            | Direct                |
| Light distribution       | Symmetric             |
| CCT (K)                  | 2700                  |
| CRI>                     | 90                    |
| McAdam steps (SDCM)      | 3                     |
| Rf fidelity index        | 89                    |
| Rg gamut index           | 101                   |
| LED Life / Failure Ratio | L90B50>51.000h_Tc85°C |
| Beam angle C0-180 (°)    | 26                    |
| Beam angle C90-270 (°)   | 26                    |
| Extreme cut off          | No                    |
| UGR <sub>L</sub>         | <10                   |

## Electrical

|                     |   |
|---------------------|---|
| Insulation class    | III   |
| Forward voltage (V) | 3.3   |
| LED current (mA)    | 900   |
| Power supply        | Remote excluded   |
| Power supply type   | Non Dimmable,<br>Dimmable DALI 2,<br>Dimmable 1-10V,<br>Mains Cut Dimming |
| Dimming interface   | Remote Dimmable<br>(Dimmer Not Included)                                  |

**⚠ A: Driver pass-through**

Recommended power supply

|                               |            | Serial Con. | ⚠ |
|-------------------------------|------------|-------------|---|
| Non Dimmable 220-240V 700mA   | 60.9988    | 1           | A |
| Non Dimmable 220-240V 900mA   | 60.9958    | 1 - 11      | B |
| Dali 2 220-240V 900mA         | 60.9602    | 1 - 5       | B |
| Dali 2 220-240V 900mA         | 60.9957    | 3 - 11      | B |
| 1-10V 220-240V 900mA          | 60.9414    | 1 - 5       | B |
| 1-10V 110-127 / 220-240 900mA | 60.9208    | 2 - 5       | B |
| Casambi 220-240V 900mA        | 06.1974.00 | 1 - 5       | B |
| Mains Dimming 220-240V 900mA  | 60.9467    | 2 - 7       | B |
| Mains Dimming 220-240V 900mA  | 60.9692    | 4 - 9       | B |

**⚠ B: Register for service operation is required**

POWER SUPPLY

\*\* Minimum embedding height 65mm only for 30mm ceiling thickness