

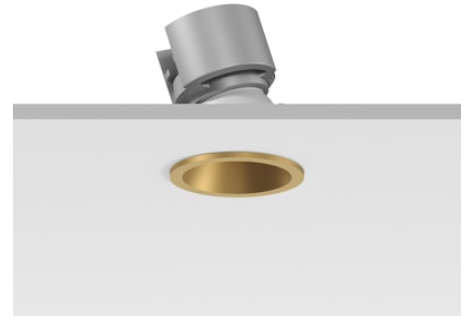
FLOS

05.7612.GLA Gold

Easy Kap Ø30 Adjustable

Designed by FLOS Architectural, 2023

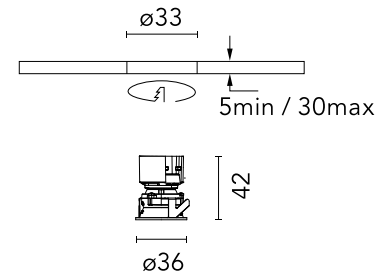
LED - Power LED - 3W - 185lm - 2700K - CRI> 90 - Beam° 35



Recessed luminaire with LED light source. Power supply not included. Installation frame not required.

Are you a professional and your project needs consulting and support?

[BOOK AN APPOINTMENT](#)



Main specifications

Mounting	Ceiling recessed
Light source type	LED
Light sources included	Yes
LED type	Power LED
Lamp category	LED
Number of lamps	1
Power (W)	3
System power (W)	4.7
Source flux (lm)	222
Lumen Output (lm)	185

Physical

Colour	Gold
Trim	Yes
Orientation	Adjustable
Longitudinal tilting (°)	17
Transversal tilting (°)	17
Recessed depth (mm)	54
Length (mm)	37
Net weight (kg)	0.04
Package height (mm)	70
Package width (mm)	61
Package length (mm)	85
IP internal	20
IP external	54

Download

[Mounting instructions](#) [↓ PDF](#)

Photometric Files

[LDT / IES](#) [↓ ZIP](#)

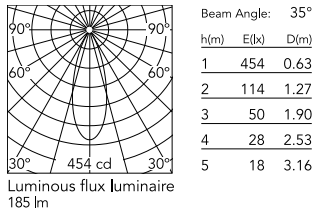
Technical Drawings

[2D](#) [↓ ZIP](#)

[3D](#) [↓ ZIP](#)



Schematic light drawing



Photometric

Lighting type	Direct
Light distribution	Symmetric
CCT (K)	2700
CRI>	90
McAdam steps (SDCM)	3
Rf fidelity index	89
Rg gamut index	101
LED Life / Failure Ratio	L90B50>51.000h_Tc85°C
Beam angle C0-180 (°)	35
Beam angle C90-270 (°)	35
Extreme cut off	No
UGR _L	<16

Electrical

Insulation class	III
Forward voltage (V)	3.3
LED current (mA)	900
Power supply	Remote excluded
Power supply type	Non Dimmable, Dimmable DALI 2, Dimmable 1-10V, Mains Cut Dimming
Dimming interface	Remote Dimmable (Dimmer Not Included)

Ecodesign and Energy Labelling

This product contains a light source of energy efficiency class **G**



 ⚠ A: Driver pass-through		Recommended power supply		
 ⚠ B: Register for service operation is required POWER SUPPLY	Non Dimmable 220-240V 700mA	60.9988	Serial Con.	⚠ A
	Non Dimmable 220-240V 900mA	60.9958	1 - 11	B
	Dali 2 220-240V 900mA	60.9602	1 - 5	B
	Dali 2 220-240V 900mA	60.9957	3 - 11	B
	1-10V 220-240V 900mA	60.9414	1 - 5	B
	1-10V 110-127 / 220-240 900mA	60.9208	2 - 5	B
	Casambi 220-240V 900mA	06.1974.00	1 - 5	B
	Mains Dimming 220-240V 900mA	60.9467	2 - 7	B
	Mains Dimming 220-240V 900mA	60.9692	4 - 9	B
	** Minimum embedding height 65mm only for 30mm ceiling thickness			