

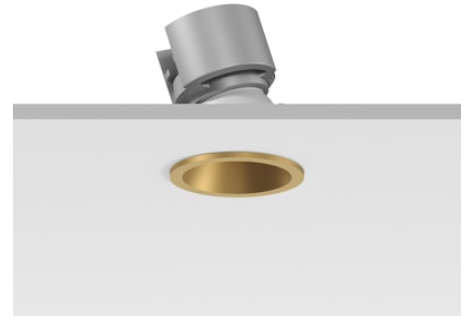
FLOS

05.7611.GLA Gold

Easy Kap Ø30 Adjustable

Designed by FLOS Architectural, 2023

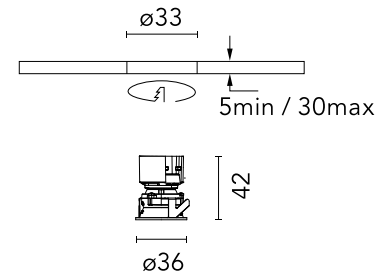
LED - Power LED - 3W - 199lm - 2700K - CRI> 90 - Beam° 26



Recessed luminaire with LED light source. Power supply not included. Installation frame not required.

Are you a professional and your project needs consulting and support?

[BOOK AN APPOINTMENT](#)




Main specifications

| | |
|------------------------|------------------|
| Mounting | Ceiling recessed |
| Light source type | LED |
| Light sources included | Yes |
| LED type | Power LED |
| Lamp category | LED |
| Number of lamps | 1 |
| Power (W) | 3 |
| System power (W) | 4.7 |
| Source flux (lm) | 222 |
| Lumen Output (lm) | 199 |

Physical

| | |
|--------------------------|------------|
| Colour | Gold |
| Trim | Yes |
| Orientation | Adjustable |
| Longitudinal tilting (°) | 17 |
| Transversal tilting (°) | 17 |
| Recessed depth (mm) | 54 |
| Length (mm) | 37 |
| Net weight (kg) | 0.04 |
| Package height (mm) | 70 |
| Package width (mm) | 61 |
| Package length (mm) | 85 |
| IP internal | 20 |
| IP external | 54 |

Download

[Mounting instructions](#)  PDF

Photometric Files

[LDT / IES](#)  ZIP

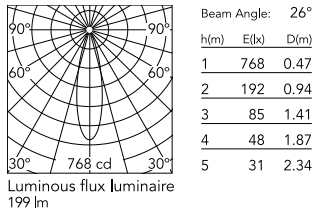
Technical Drawings

[2D](#)  ZIP

[3D](#)  ZIP



Schematic light drawing



Photometric

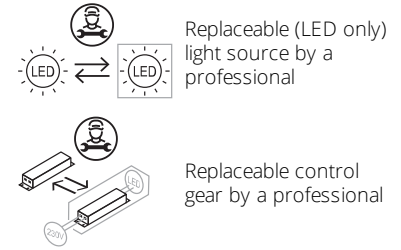
| | |
|--------------------------|-----------------------|
| Lighting type | Direct |
| Light distribution | Symmetric |
| CCT (K) | 2700 |
| CRI> | 90 |
| McAdam steps (SDCM) | 3 |
| Rf fidelity index | 89 |
| Rg gamut index | 101 |
| LED Life / Failure Ratio | L90B50>51.000h_Tc85°C |
| Beam angle C0-180 (°) | 26 |
| Beam angle C90-270 (°) | 26 |
| Extreme cut off | No |
| UGR _L | <16 |

Electrical

| | |
|---------------------|---|
| Insulation class | III |
| Forward voltage (V) | 3.3 |
| LED current (mA) | 900 |
| Power supply | Remote excluded |
| Power supply type | Non Dimmable, Dimmable DALI 2, Dimmable 1-10V, Mains Cut Dimming |
| Dimming interface | Remote Dimmable (Dimmer Not Included) |

Ecodesign and Energy Labelling

This product contains a light source of energy efficiency class **G**



|  ⚠ A: Driver pass-through | | Recommended power supply | | |
|--|--|--------------------------|-------------|-----|
|  ⚠ B: Register for service operation is required POWER SUPPLY | Non Dimmable 220-240V 700mA | 60.9988 | Serial Con. | ⚠ A |
| | Non Dimmable 220-240V 900mA | 60.9958 | 1 - 11 | B |
| | Dali 2 220-240V 900mA | 60.9602 | 1 - 5 | B |
| | Dali 2 220-240V 900mA | 60.9957 | 3 - 11 | B |
| | 1-10V 220-240V 900mA | 60.9414 | 1 - 5 | B |
| | 1-10V 110-127 / 220-240 900mA | 60.9208 | 2 - 5 | B |
| | Casambi 220-240V 900mA | 06.1974.00 | 1 - 5 | B |
| | Mains Dimming 220-240V 900mA | 60.9467 | 2 - 7 | B |
| | Mains Dimming 220-240V 900mA | 60.9692 | 4 - 9 | B |
| | ** Minimum embedding height 65mm only for 30mm ceiling thickness | | | |