

# FLOS

FA53913233-310 Anthracite

## Dooku 400 Single Top Pole Ø76 mm Asymmetric Optic Dimmable 1-10V NEW

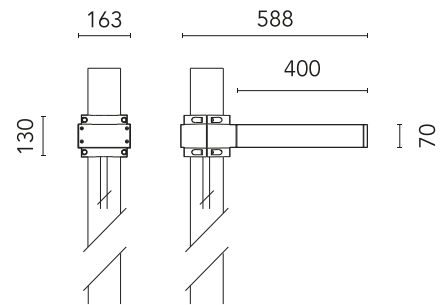
Designed by FLOS Outdoor



LED source included. Integrated power supply 220-240V ON/OFF and dimmable 1-10V or DALI. Fixing bracket included. Equipped with a 400mm protruding neoprene cable section and IP68 connectors. Single socket for 76mm diameter post. The post must be ordered separately. Smart-City version available upon request.

Are you a professional and your project needs consulting and support?

[BOOK AN APPOINTMENT](#)



### Main specifications

EAN	8054793806549
Mounting	Pole Top
Power (W)	67
Source flux (lm)	18252
Lumen Output (lm)	15010

### Physical

Colour	Anthracite
Orientation	Fixed
Net weight (kg)	13.08
Package height (mm)	605
Package width (mm)	175
Package length (mm)	150
Package volume (m3)	0.02
IP internal	65

### Download

[Mounting instructions](#) ZIP

### Photometric Files

[LDT / IES](#) ZIP

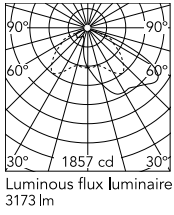
### Technical Drawings

[2D](#) ZIP

[3D](#) ZIP



## Schematic light drawing



Beam Angle: 62°

h(m)	E(lx)	D(m)
1	940	2.30
2	235	4.60
3	104	6.90
4	59	9.20
5	38	11.50

### Photometric

CCT (K)	2700
Extreme cut off	No

### Electrical

Power supply type	Dimmable 0-10V
Emergency	No

### Notes

Please check with your referent person in our Front Office if a code modification is needed to meet the required certification compliance

---