

FLOS

06.5157.14 Black

Data Connection Rod Rose Ø 140 mm

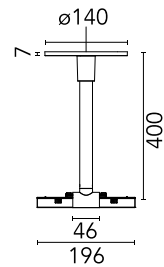
Designed by Vincent Van Duysen, 2018



Data connection rod rose ø140mm. Use one for each line of the installation, for connection to DALI or 1-10V signal source. Adjustable 25 mm, to adapt it to irregular ceilings.

Are you a professional and your project needs consulting and support?

[BOOK AN APPOINTMENT](#)



Main specifications

| | |
|--------------|---------------------|
| Mounting | Ceiling surface |
| Environments | Indoor dry location |
| Iicos | No |

Physical

| | |
|-----------------|-------|
| Colour | Black |
| Trim | No |
| Length (mm) | 400 |
| Net weight (kg) | 0.89 |
| IP internal | 20 |
| IP external | 20 |

Download

[Mounting instructions](#)

[PDF](#)



Electrical

| | |
|----------------|---|
| Driver | Remote excluded |
| Dimming type | Non Dimmable, Dimmable 1-10V, Dimmable DALI 1 |
| Emergency type | No |

Notes

The closure terminals will also be electrified and must be ordered separately. Data connection rod rose $\varnothing 140$ mm: Use one for each line of the installation, for connection to DALI or 1-10V signal source. Adjustable 25 mm, to adapt it to irregular ceilings.

Accessories & Power Supply



REQUIRED
Power supply

Electrical

60.8919

LED Power Supply Source for remote installation. 48V/320W. 100/240 Vac



REQUIRED
Power supply

Electrical

60.9170

LED power supply source for remote installation, 48V/120W. 220/240 Vac



REQUIRED
Power supply

Electrical

60.9607

LED power supply source for remote installation, 110Vac-135W / 220Vac-200W.



REQUIRED
Component

06.5135.14A

End Cap Dali/1-10V/FLOS Control® by Casambi compatible



REQUIRED
Component

06.5135.40A

End Cap Dali/1-10V/FLOS Control® by Casambi compatible



REQUIRED
Component

06.5142.14A

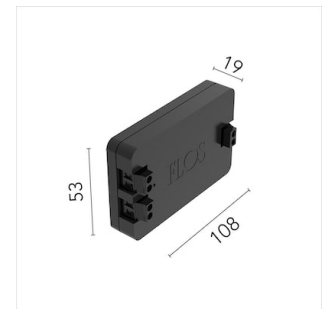
End Cap On board dimmer/FLOS Control® by Casambi compatible



REQUIRED
Component

06.5142.40A

End Cap On board dimmer/FLOS Control® by Casambi compatible



OPTIONAL
Power supply

Electrical

08.0613.14A

Dimmable control box 1-10V, 48V. For remote installation.