

# FLOS

F1811033 Argent

## Coordinates Wall 2

Designed by Michael Anastassiades, 2020

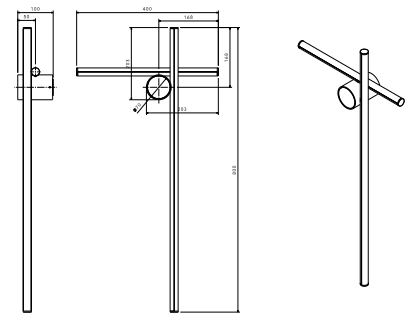
24W - 1402lm - 2700K - CRI> 90

Wall-mounted diffuse lighting device composed of a horizontal bar (model Wall 1) or vertical and horizontal bar (model W2). Each bar is composed of: extruded and processed aluminium body anodized in a champagne or argent colour; diffuser in platinum optical silicone; integrated LED strip (CRI 90). Each model comes with its own rose, whose integrated electronics use only the TRIAC dimmer system.



Are you a professional and your project needs consulting and support?

[BOOK AN APPOINTMENT](#)



### Main specifications

EAN	8059607035313
Mounting	Wall
Environments	Indoor dry location
Light Source Type	LED
LED type	LED Module
Power (W)	24
System power (W)	24
System flux (lm)	1402

### Physical

Colour	Argent
Length (mm)	100
Net weight (kg)	1
Package height (mm)	145
Package width (mm)	495
Package length (mm)	930
Package volume (m3)	0.07
IP internal	20

### Download

[Mounting instructions](#) PDF

[Compatible dimmers](#) PDF

### Photometric Files

[ULD](#) ZIP

[LDT / IES](#) LDT

### Technical Drawings

[3D](#) ZIP

[Bim](#) ZIP



## Photometric

Light distribution	Asymmetric
CCT (K)	2700
CRI>	90
Extreme cut off	No

## Electrical

Insulation class	I
Frequency (Hz)	50/60
Main voltage (Vac)	230
Power Supply	Integrated
Dimmable	Yes
Power Supply Type	Mains Cut Dimming
Dimming interface	Remote Dimmable (Dimmer Not Included)
Batteries inside	No

## Ecodesign and Energy Labelling

This product contains a light source of energy efficiency class F



Replaceable (LED only) light source by a professional



Replaceable control gear by a professional