

FLOS

F1801044 Anodized Champagne

Coordinates Floor

Designed by Michael Anastassiades, 2020

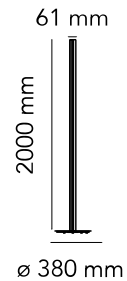
57W - 3240lm - 2700K - CRI > 95



Coordinates Floor is a floor lamp with diffuse light composed of two vertical poles that can be oriented during installation, attached to a base with an anodized aluminium cover. Each element is made of extruded anodized aluminium with a champagne finish and a diffuser in platinum optical silicone with an integrated LED strip (CRI 95). Usable power cable length 260 cm with pedal dimmer switch for ON/OFF and adjustable brightness 10–100%. Power supply attached to interchangeable plug.

Are you a professional and your project needs consulting and support?

[BOOK AN APPOINTMENT](#)



Main specifications

EAN	8059607031223
Mounting	Floor
Environments	Indoor dry location
Light Source Type	LED
LED type	LED Module
Power (W)	57
System flux (lm)	3240

Physical

Colour	Anodized Champagne
Length (mm)	380
Net weight (kg)	9.2
Package volume (m3)	0.03
IP internal	20

Download

Mounting instructions	↓ PDF
Mounting instructions	↓ PDF
Spare Parts	↓ PDF

Photometric Files

ULD	↓ ZIP
LDT / IES	↓ LDT

Technical Drawings

3D	↓ ZIP
Bim	↓ ZIP



Photometric

Lighting type	Indirect, Direct
Light distribution	Asymmetric
CCT (K)	2700
CRI>	95

Electrical

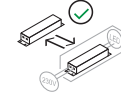
Insulation class	III
Frequency (Hz)	50/60
Main voltage (Vac)	100-240/48
LED voltage Vf (Vdc)	null
Driver	Remote included
Dimmable	Yes
Dimming type	Electronic 48V
Dimming interface	Dimmer Integrated
Plug type	Type G, Type A, Type C
Batteries inside	No

Ecodesign and Energy Labelling

This product contains a light source of energy efficiency class F

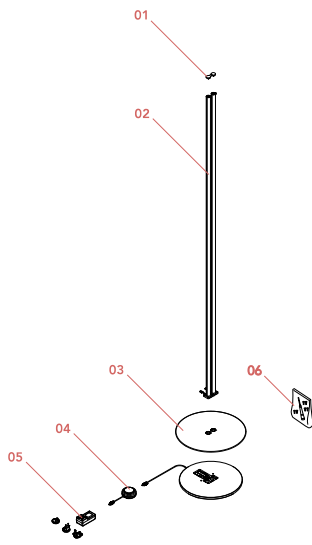


Replaceable (LED only) light source by a professional



Replaceable control gear by an end-user

Spare Parts



- 04. Switch dimmer 48v pmw 500hz RF27549
- 05. Black plug assembly kit & 48V driver RF3320400

DOWNLOAD



RF27549

Switch dimmer 48v pmw 500hz



RF3320400

Black plug assembly kit & 48V driver