

FLOS

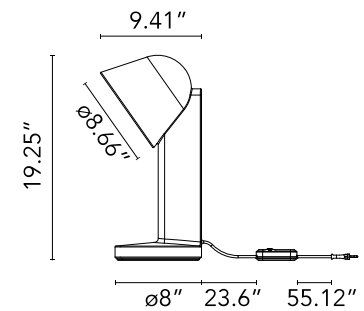
 FU163414 Navy Blue

C ramique Down

Designed by Ronan Bouroullec, 2023



The «C ramique» lamp collection was designed by Ronan Bouroullec for Flos. This lamp is the pure expression of a material, a union of the hands of a designer that can create visual poetry and the «savoir-fair» of a company that can translate it into an object. The lamp's iconic ceramic body features a lead-free lacquered crystalline finish that complements its handcrafted surface. White diffuser made of polycarbonate. C ramique combines elegance and craftsmanship with versatile lighting. With a durable design and attention to detail, this collection enhances the beauty of ceramics and promotes energy efficiency. Available colors: Moss Green, Navy Blue and Rust Red.



Are you a professional and your project needs consulting and support?

[BOOK AN APPOINTMENT](#)

Main specifications

EAN	8059607062319
Mounting	Table
Environments	Indoor dry location
Light Source Type	Bulb
Light sources included	No
Lamp category	LED retrofit
Lamp type	A60
Lamp holders	E26
Number of lamps	1
Power (W)	8

Physical

Color	Navy Blue
Length (in)	7.68
Cord color	Black
Cord length (in)	78.740
Net weight (lb)	7.72
Package height (in)	28.15
Package width (in)	14.57
Package length (in)	14.57
Package volume (in)	5973.27
IP internal	20

Download

[Mounting instructions](#)

 [PDF](#)



Photometric

Light distribution Asymmetric

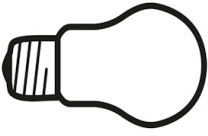
Electrical

Insulation class	II
Frequency (Hz)	50/60
Main voltage (Vac)	120
Dimmable	Yes
Dimming interface	Dimmer Integrated
Plug type	Type A

Notes

Plug type A

Bulbs



NOT INCLUDED

RF34656

9W E26 A19 Led Lamp