

FLOS

F3190009 White

Button HL

Designed by Piero Lissoni, 2004

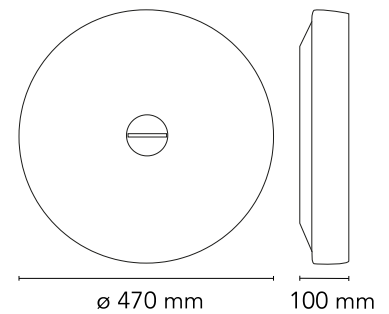


Halogen - 5 x 40W

Wall/ceiling fixture providing diffused lighting for indoor use. Hand-blown opal ply glass diffuser (transparent □ opal □ transparent) with acid finish. Sheared, deep-drawn steel sheet wall/ceiling attachment with white galvanized finish. Sheared, deep-drawn steel sheet reflector painted white for high temperatures. Closing cover in injection molded tecnopolymer with chrome finish. Satin-finish incandescent line voltage halogen lamps.

Are you a professional and your project needs consulting and support?

[BOOK AN APPOINTMENT](#)



Main specifications

EAN	8059607018866
Mounting	Ceiling, Wall
Environments	Indoor dry location
Light source type	Bulb
Light sources included	No
Lamp category	Halogen
Lamp holders	G9
Icos	HSGS
Number of lamps	5
Power (W)	40

Physical

Colour	White
Length (mm)	470
Net weight (kg)	7
Package height (mm)	175
Package width (mm)	555
Package length (mm)	555
Package volume (m3)	0.05
IP internal	40

Download

Mounting instructions [↓ PDF](#)

Photometric Files

LDT / IES [↓ ZIP](#)

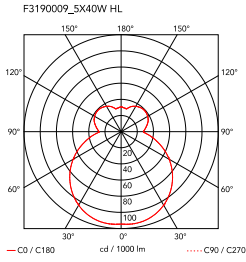
Technical Drawings

2D [↓ ZIP](#)

3D [↓ ZIP](#)



Schematic light drawing



Photometric

Light distribution	Roto symmetric
Extreme cut off	No

Electrical

Insulation class	I
Frequency (Hz)	50/60
Main voltage (Vac)	220-250
Dimmable	Yes
Dimming interface	Remote Dimmable (Dimmer Not Included)
Batteries inside	No

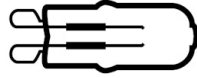
Bulbs



NOT INCLUDED

RF26520

LED Lamp 2W 240lm G9 220-240 2700K T13 Non Dimmable

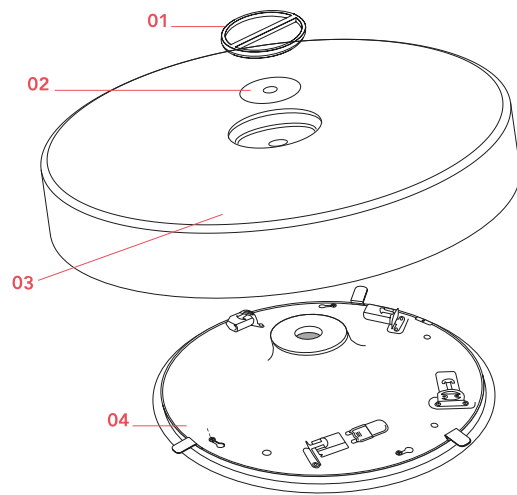


NOT INCLUDED

RF36378

LED BiPin Lamp G9 3,2W 2700K Dimmable

Spare Parts



- | | | |
|-----|--|-----------|
| 01. | Chrome locking cap assembly | RF3190100 |
| 02. | Silicone Seal Shore Transparent
62x13x1,5 | RF15719 |
| 03. | Opal glass diffuser for new
version | RF3190300 |



RF3190100

Chrome locking cap assembly



RF15719

Silicone Seal Shore Transparent
62x13x1,5



RF3190300

Opal glass diffuser for new
version