


# FLOS

 F1080075 Brick Red

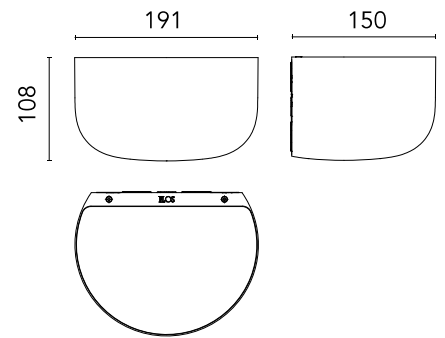
## Bellhop Wall Up

Designed by Edward Barber and Jay Osgerby, 2022



17W - 1314lm - 2700K - CRI> 90

Designed by Edward Barber and Jay Osgerby Indirect light wall lamp. Body in colored polycarbonate. Diffuser made of semi-transparent injection-moulded polycarbonate. The surface of the diffuser has been designed with a special texture to enhance the uniformity of the light distribution. High efficiency LED source with a lifetime of more than 50.000 hours. The LED source can be easily replaced on site by a professional installer when it comes to the end of its lifecycle. Bellhop Wall Up is a future-proof lamp as no glue is used to assemble its different parts. The product can therefore be separated, replaced individually, and recycled separately.



Are you a professional and your project needs consulting and support?

[BOOK AN APPOINTMENT](#)

### Main specifications

EAN	8059607047835
Mounting	Wall
Environments	Indoor Outdoor damp location
Light Source Type	LED
LED type	LED Module
Power (W)	17
System power (W)	17
System flux (lm)	1314

### Physical

Colour	Brick Red
Length (mm)	150
Net weight (kg)	1.2
Package height (mm)	154
Package width (mm)	225
Package length (mm)	272
Package volume (m3)	0.01
IP internal	44

### Download

Mounting instructions	<a href="#">↓ PDF</a>
Compatible dimmers	<a href="#">↓ PDF</a>
Spare Parts	<a href="#">↓ PDF</a>

### Photometric Files

LDT / IES	<a href="#">↓ ZIP</a>
-----------	-----------------------

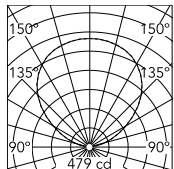
### Technical Drawings

2D	<a href="#">↓ DWG</a>
3D	<a href="#">↓ ZIP</a>



IP
44

## Schematic light drawing



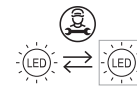
Beam Angle: 108°

h(m)	E(lx)	D(m)
1	479	2.78
2	120	5.55
3	53	8.33
4	30	11.11
5	19	13.88

Luminous flux Luminaire  
1314 lm

## Ecodesign and Energy Labelling

This product contains a light source of energy efficiency class **G**



Replaceable (LED only)  
light source by a  
professional

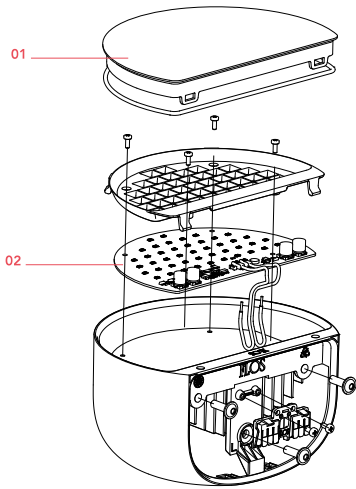
## Photometric

Light distribution	Symmetric
CCT (K)	2700
CRI>	90

## Electrical

Insulation class	II
Frequency (Hz)	50/60
Main voltage (Vac)	220-240
LED voltage Vf (Vdc)	null
Driver	Integrated
Dimmable	Yes
Dimming type	Mains Cut Dimming
Dimming interface	Remote Dimmable (Dimmer Not Included)

## Spare Parts



- 01. Bellhop W Transparent Difusser RF32828
- 02. LED Board for Bellhop Wall Up RF1080100

**DOWNLOAD**

BELLHOP WALL UP  
F1080100  
RF1080100  
LED CHIP BOARD

EN



RF32828

Bellhop W Transparent Difusser

©2022 Flos. All rights reserved. Under license.  
RF1080100: Other models and colors are available. The appearance shown in this image may have been modified.  
For the installation of the product, it is necessary to consult a qualified professional.  
RF1080100: Other models and colors are available. The appearance shown in this image may have been modified.  
For the installation of the product, it is necessary to consult a qualified professional.

RF1080100

LED Board for Bellhop Wall Up