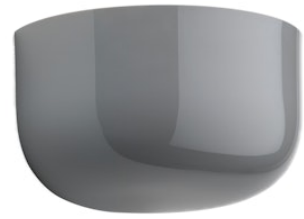


FLOS

F1080020 Grey

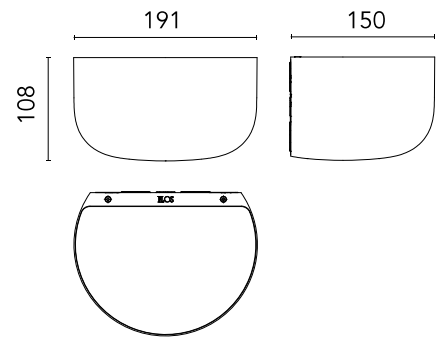
Bellhop Wall Up

Designed by Edward Barber and Jay Osgerby, 2022



17W - 1314lm - 2700K - CRI> 90

Designed by Edward Barber and Jay Osgerby Indirect light wall lamp. Body in colored polycarbonate. Diffuser made of semi-transparent injection-moulded polycarbonate. The surface of the diffuser has been designed with a special texture to enhance the uniformity of the light distribution. High efficiency LED source with a lifetime of more than 50.000 hours. The LED source can be easily replaced on site by a professional installer when it comes to the end of its lifecycle. Bellhop Wall Up is a future-proof lamp as no glue is used to assemble its different parts. The product can therefore be separated, replaced individually, and recycled separately.



Are you a professional and your project needs consulting and support?

[BOOK AN APPOINTMENT](#)

Main specifications

| | |
|-------------------|------------------------------|
| EAN | 8059607047828 |
| Mounting | Wall |
| Environments | Indoor Outdoor damp location |
| Light Source Type | LED |
| LED type | LED Module |
| Power (W) | 17 |
| System power (W) | 17 |
| System flux (lm) | 1314 |

Physical

| | |
|---------------------|------|
| Colour | Grey |
| Length (mm) | 150 |
| Net weight (kg) | 1.2 |
| Package volume (m3) | 0.01 |
| IP internal | 44 |

Download

| | |
|---------------------------------------|-----------------------|
| Mounting instructions | ↓ PDF |
| Compatible dimmers | ↓ PDF |
| Spare Parts | ↓ PDF |

Photometric Files

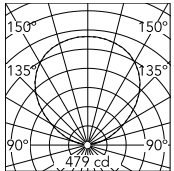
| | |
|---------------------------|-----------------------|
| LDT / IES | ↓ ZIP |
|---------------------------|-----------------------|

Technical Drawings

| | |
|--------------------|-----------------------|
| 2D | ↓ DWG |
| 3D | ↓ ZIP |



Schematic light drawing



| | | |
|------------------|-------|-------|
| Beam Angle: 108° | | |
| h(m) | E(lx) | D(m) |
| 1 | 479 | 2.78 |
| 2 | 120 | 5.55 |
| 3 | 53 | 8.33 |
| 4 | 30 | 11.11 |
| 5 | 19 | 13.88 |

Luminous flux Luminaire
1314 lm

Ecodesign and Energy Labelling

This product contains a light source of energy efficiency class **G**



Replaceable (LED only)
light source by a
professional

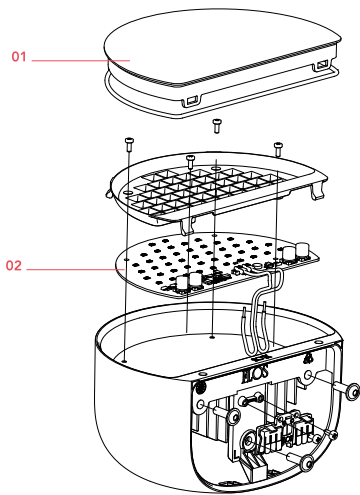
Photometric

| | |
|--------------------|------------------|
| Lighting type | Indirect, Direct |
| Light distribution | Symmetric |
| CCT (K) | 2700 |
| CRI> | 90 |

Electrical

| | |
|--------------------|--|
| Insulation class | II |
| Frequency (Hz) | 50/60 |
| Main voltage (Vac) | 220-240 |
| Driver | Integrated |
| Dimmable | Yes |
| Dimming type | Mains Cut Dimming |
| Dimming interface | Remote Dimmable (Dimmer Not Included) |

Spare Parts



DOWNLOAD