
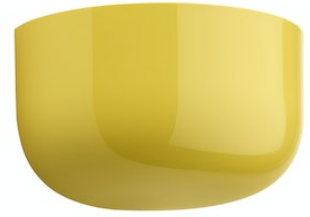


# FLOS

 F1080019 Yellow

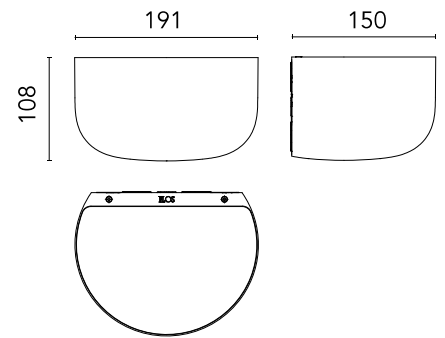
## Bellhop Wall Up

Designed by Edward Barber and Jay Osgerby, 2022



17W - 1314lm - 2700K - CRI> 90

Designed by Edward Barber and Jay Osgerby Indirect light wall lamp. Body in colored polycarbonate. Diffuser made of semi-transparent injection-moulded polycarbonate. The surface of the diffuser has been designed with a special texture to enhance the uniformity of the light distribution. High efficiency LED source with a lifetime of more than 50.000 hours. The LED source can be easily replaced on site by a professional installer when it comes to the end of its lifecycle. Bellhop Wall Up is a future-proof lamp as no glue is used to assemble its different parts. The product can therefore be separated, replaced individually, and recycled separately.



Are you a professional and your project needs consulting and support?

[BOOK AN APPOINTMENT](#)

### Main specifications

EAN	8059607047811
Mounting	Wall
Environments	Indoor Outdoor damp location
Light Source Type	LED
LED type	LED Module
Power (W)	17
System power (W)	17
System flux (lm)	1314

### Physical

Colour	Yellow
Length (mm)	150
Net weight (kg)	1.2
Package volume (m3)	0.01
IP internal	44

### Download

<a href="#">Mounting instructions</a>	<a href="#">↓ PDF</a>
<a href="#">Compatible dimmers</a>	<a href="#">↓ PDF</a>
<a href="#">Spare Parts</a>	<a href="#">↓ PDF</a>

### Photometric Files

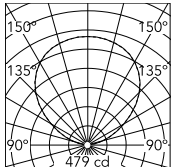
<a href="#">LDT / IES</a>	<a href="#">↓ ZIP</a>
---------------------------	-----------------------

### Technical Drawings

<a href="#">2D</a>	<a href="#">↓ DWG</a>
<a href="#">3D</a>	<a href="#">↓ ZIP</a>



## Schematic light drawing



Beam Angle: 108°		
h(m)	E(lx)	D(m)
1	479	2.78
2	120	5.55
3	53	8.33
4	30	11.11
5	19	13.88

Luminous flux Luminaire  
1314 lm

## Ecodesign and Energy Labelling

This product contains a light source of energy efficiency class **G**



Replaceable (LED only)  
light source by a  
professional

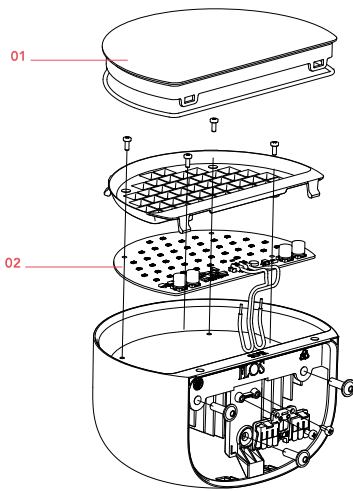
## Photometric

Lighting type	Indirect, Direct
Light distribution	Symmetric
CCT (K)	2700
CRI>	90

## Electrical

Insulation class	II
Frequency (Hz)	50/60
Main voltage (Vac)	220-240
Driver	Integrated
Dimmable	Yes
Dimming type	Mains Cut Dimming
Dimming interface	Remote Dimmable (Dimmer Not Included)

## Spare Parts



**DOWNLOAD**