

# FLOS

F1080009 White

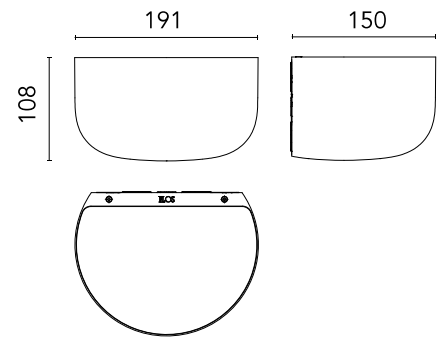
## Bellhop Wall Up

Designed by Edward Barber and Jay Osgerby, 2022



17W - 1314lm - 2700K - CRI> 90

Designed by Edward Barber and Jay Osgerby Indirect light wall lamp. Body in colored polycarbonate. Diffuser made of semi-transparent injection-moulded polycarbonate. The surface of the diffuser has been designed with a special texture to enhance the uniformity of the light distribution. High efficiency LED source with a lifetime of more than 50.000 hours. The LED source can be easily replaced on site by a professional installer when it comes to the end of its lifecycle. Bellhop Wall Up is a future-proof lamp as no glue is used to assemble its different parts. The product can therefore be separated, replaced individually, and recycled separately.



Are you a professional and your project needs consulting and support?

[BOOK AN APPOINTMENT](#)

### Main specifications

|                   |                              |
|-------------------|------------------------------|
| EAN               | 8059607047798                |
| Mounting          | Wall                         |
| Environments      | Indoor Outdoor damp location |
| Light Source Type | LED                          |
| LED type          | LED Module                   |
| Power (W)         | 17                           |
| System power (W)  | 17                           |
| System flux (lm)  | 1314                         |

### Physical

|                     |       |
|---------------------|-------|
| Colour              | White |
| Length (mm)         | 150   |
| Net weight (kg)     | 1.2   |
| Package height (mm) | 154   |
| Package width (mm)  | 225   |
| Package length (mm) | 272   |
| Package volume (m3) | 0.01  |
| IP internal         | 44    |

### Download

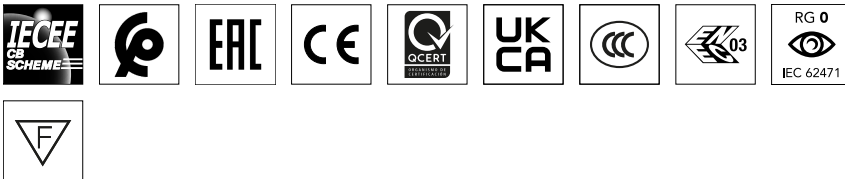
|                                       |                       |
|---------------------------------------|-----------------------|
| <a href="#">Mounting instructions</a> | <a href="#">↓ PDF</a> |
| <a href="#">Compatible dimmers</a>    | <a href="#">↓ PDF</a> |
| <a href="#">Spare Parts</a>           | <a href="#">↓ PDF</a> |

### Photometric Files

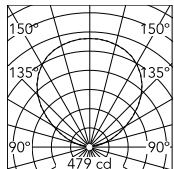
|                           |                       |
|---------------------------|-----------------------|
| <a href="#">LDT / IES</a> | <a href="#">↓ ZIP</a> |
|---------------------------|-----------------------|

### Technical Drawings

|                    |                       |
|--------------------|-----------------------|
| <a href="#">2D</a> | <a href="#">↓ DWG</a> |
| <a href="#">3D</a> | <a href="#">↓ ZIP</a> |



## Schematic light drawing



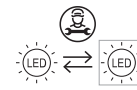
Beam Angle: 108°

| h(m) | E(lx) | D(m)  |
|------|-------|-------|
| 1    | 479   | 2.78  |
| 2    | 120   | 5.55  |
| 3    | 53    | 8.33  |
| 4    | 30    | 11.11 |
| 5    | 19    | 13.88 |

Luminous flux Luminaire  
1314 lm

## Ecodesign and Energy Labelling

This product contains a light source of energy efficiency class **G**



Replaceable (LED only)  
light source by a  
professional

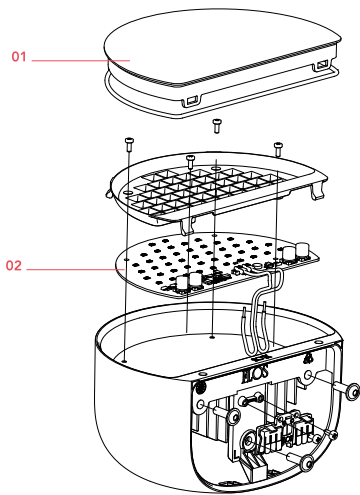
## Photometric

|                    |           |
|--------------------|-----------|
| Light distribution | Symmetric |
| CCT (K)            | 2700      |
| CRI>               | 90        |

## Electrical

|                    |   |
|--------------------|---|
| Insulation class   | II  |
| Frequency (Hz)     | 50/60                                       |
| Main voltage (Vac) | 220-240                                     |
| Power Supply       | Integrated                                  |
| Dimmable           | Yes   |
| Power Supply Type  | Mains Cut Dimming                           |
| Dimming interface  | Remote Dimmable<br>(Dimmer Not<br>Included) |

## Spare Parts



01. Bellhop W Transparent Difusser RF32828

02. LED Board for Bellhop Wall Up RF1080100

**DOWNLOAD**

RF1080100

LED Board for Bellhop Wall Up



RF32828

Bellhop W Transparent Difusser