

FLOS

F1060020 Grey

Bellhop Table

Designed by Edward Barber and Jay Osgerby, 2018

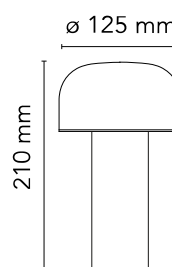


3W - 151lm - 2700K

Rechargeable direct light table lighting device. Base and dome in coloured PC. Diffuser in Opaline injection moulded photo-engraved PC. 24-hours' autonomy, charging via Micro-USB-C. Push-button switch positioned on the base provides the 4-step dimmer function. Battery status indicator positioned under the base. USB-C charging cable included, useful length 120cm.

Are you a professional and your project needs consulting and support?

[BOOK AN APPOINTMENT](#)



Main specifications

EAN	8059607001301
Mounting	Table
Environments	Indoor dry location
Light source type	LED
Light sources included	Yes
LED type	LED Module
Power (W)	3
System flux (lm)	151

Physical

Colour	Grey
Length (mm)	125
Net weight (kg)	1.3
Package height (mm)	200
Package width (mm)	200
Package length (mm)	330
Package volume (m3)	0.01
IP internal	20

Download

[Mounting instructions](#) PDF

[Mounting instructions](#) PDF

Photometric Files

[LDT / IES](#) LDT

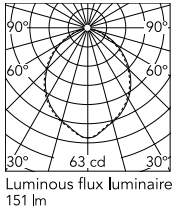
Technical Drawings

[2D](#) ZIP

[3D](#) ZIP



Schematic light drawing



Photometric

Light distribution	Roto symmetric
CCT (K)	2700
Extreme cut off	No

Electrical

Insulation class	III
Frequency (Hz)	50/60
Main voltage (Vac)	100-240/5
Power supply	Remote excluded
Dimmable	Yes
Power supply type	Electronic 5V
Dimming interface	Dimmer Integrated
Batteries inside	Yes
Battery type	LI-PO
Charging max power	14
Charging min time	3H - 0% TO 100%
Charging socket/connector	USB-C

Ecodesign and Energy Labelling

This product contains a light source of energy efficiency class **C**

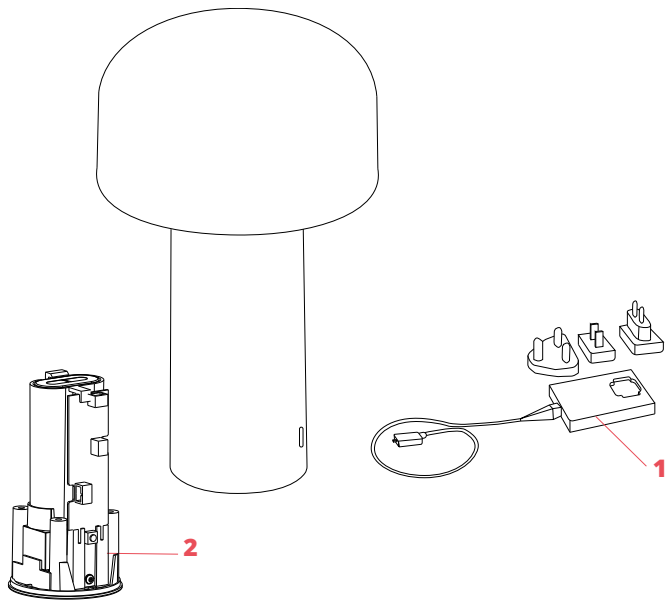


Replaceable (LED only)
light source by a
professional



Replaceable control
gear by an end-user

Spare Parts



- 01. Power charger with electrical cable & plugs RF1035109
- 02. Bellhop base assembly with battery kit RF28641



RF1035109
Power charger with electrical
cable & plugs



RF28641
Bellhop base assembly with
battery kit